

三菱ジープ CJ3B-J3

1955 年版パーツカタログ

Key	Parts No.	Nomenclature	No. Req'd
-----	-----------	--------------	--------------

ENGINE

J-809351	Engine Assy, complete	1
J-810585	Gasket set, engine overhaul	1

Consists of:

J-641096	1 Gasket, cylinder block front	
J-807036	1 Gasket, cylinder head	
J-648795	2 Gasket, exhaust manifold (ends)	
J-648935	1 Gasket, exhaust manifold (center)	
J-634814	1 Gasket, exhaust pipe flange	
J-638737	2 Gasket, fuel pump to block	
J-630365	1 Gasket, gear cover	
J-648970	1 Gasket, insulator carburetor	
J-630398	1 Gasket, oil float support	
J-639980-1	1 Gasket, oil pan	
J-641482	1 Gasket, oil pump cover	
J-634813	1 Gasket, oil pump relief spring retainer	
J-806515	1 Gasket, oil pan drain plug	
J-646147	1 Gasket, oil pump to cylinder block	
J-630305	1 Gasket, valve spring cover	
J-51875	4 Gasket, valve cover and rocker cover stud	
J-648798	1 Gasket, rocker arm cover	
J-630299	1 Gasket, ventilator to valve cover	
J-648852	1 Gasket, water outlet elbow	
J-637053	1 Gasket, water pump to cylinder block	
JM60340	2 Packing, rear bearing cap	
J-906459	2 Oil seal; rocker arm cover	
J-808098	2 Oil seal, rocker arm cover (old type)	
J-647468	1 Oil seal, crankshaft front end	
J-800093	2 Seal, crankshaft rear bearing	
J-801344	Gasket set, engine valve job	1

Consists of:

J-648970	1 Gasket, insulator carburetor	
----------	--------------------------------	--

Key	Parts No.	Nomenclature	No. Req'
-----	-----------	--------------	-------------

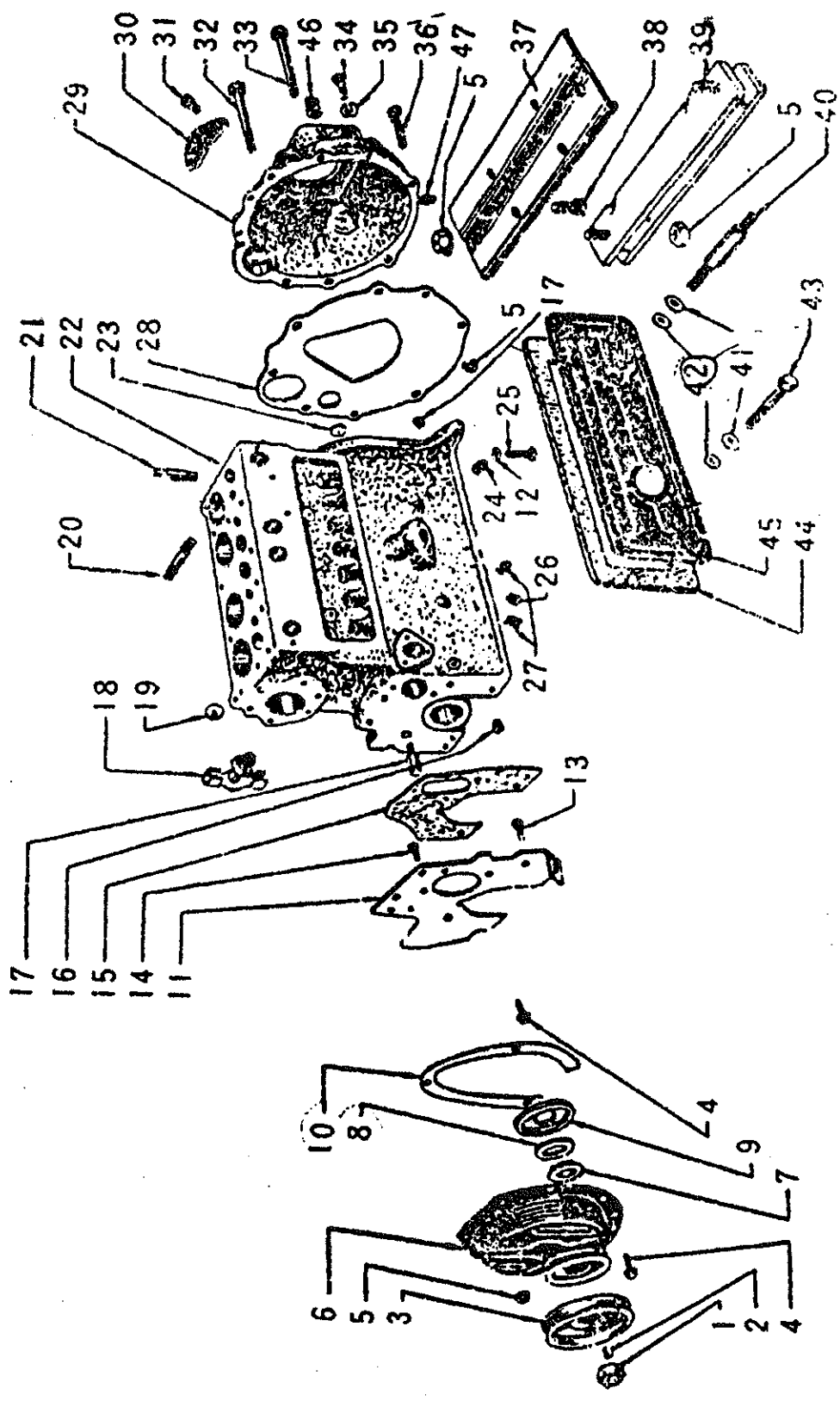
ENGINE (Continued)

J-807036	1 Gasket, cylinder head	
J-648795	2 Gasket, exhaust manifold (ends)	
J-648935	1 Gasket, exhaust manifold (center)	
J-634814	1 Gasket, exhaust pipe flange	
J-51875	4 Gasket, valve cover and rocker cover stud	
J-648798	1 Gasket, rocker arm cover	
J-630305	1 Gasket, valve spring cover	
J-630299	1 Gasket, ventilator to valve cover	
J-648852	1 Gasket, water outlet elbow	
J-906459	2 Oil seal, rocker arm cover	
J-808098	2 Oil seal, rocker arm cover (old type)	

CYLINDER BLOCK, FLYWHEEL HOUSING AND GEAR COVER

1	J-387633	Nut, crankshaft pulley	1
2	J-GM-124549	Key, crankshaft pulley	1
3	J-646698	Pulley, crankshaft	1
4	J-GM-122119	Bolt, hex. hd.	9
	J-GM-138489	Washer, external tooth	9
5	J-GM-120369	Nut, hex.	16
	J-GM-138489	Washer, external tooth	16
6	J-643834-1	Cover, timing gear ass'y	1
7	J-375917	Ring, retaining gear cover packing	1
8	J-647468	Oil seal, crankshaft front end	1
9	J-375877	Slinger, crankshaft oil	1
10	J-630365	Gasket, gear cover	1
11	J-649919-1	Plate, engine front	1
12	J-GM-120384	Lockwasher	6
13	J-GM-120647	Bolt, hex. hd.	1
14	J-GM-123520	Bolt, hex. hd.	3
15	J-641096	Gasket, cylinder block front	1
16	J-376373	Plug, pipe	2
17	J-641050	Jet, oil timing gear	1
18	J-GM-103647	Cock, drain cylinder block	1
19	J-907878	Plug, expansion	5
	JM 60332	2 1/2 - 7" STD	
	JM 60603	" OS 0.50mm	

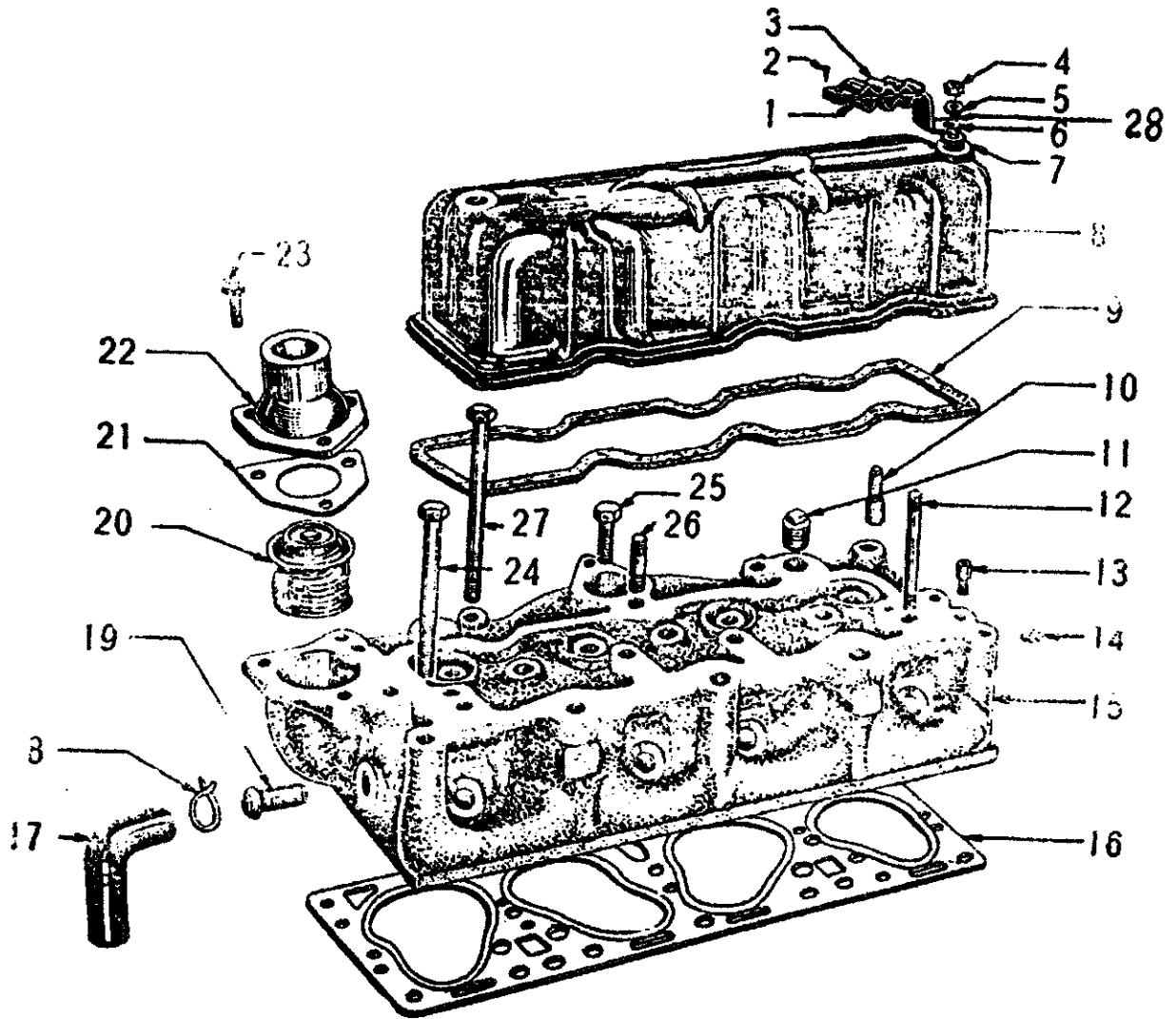
CYLINDER BLOCK, FLYWHEEL HOUSING AND GEAR COVER



Key	Parts No.	Nomenclature	No. Req'd
<u>CYLINDER BLOCK, FLYWHEEL HOUSING AND GEAR COVER (Continued)</u>			
20	J-635886	Stud, ignition coil	2
21	J-119137	Guide, exhaust valve	4
22	J-808398	Block and bearings, cylinder, ass'y	1
23	J-907879	Plug, expansion	1
24	J-805472	Plug, pipe	1
25	J-381519	Screw, bearing caps to crankcase	6
26	J-GM-103883	Plug, pipe	1
27	J-GM-103877	Plug, pipe	2
28	J-804381	Plate, engine rear	1
29	J-912799-1	Housing, flywheel	1
30	J-630103	Cover, inspection	1
31	J-GM-120706	Bolt, hex. hd.	2
	J-GM-120380	Lockwasher	2
32	J-GM-120669	Bolt, hex. hd.	2
33	J-804367-1	Bolt, dowel	2
34	J-GM-122267	Bolt, hex. hd.	4
35	J-GM-120383	Lockwasher	4
36	J-GM-120608	Bolt, hex. hd.	4
37	J-A-146	Bracket, engine mounting rear	1
38	J-GM-122104	Bolt, hex. hd.	4
	J-GM-120382	Lockwasher, spring	4
39	J-A-6156	Insulator, engine support rear	1
40	J-806348	Stud, exhaust valve cover rear	1
41	J-674993	Lockwasher	2
42	J-51875	Gasket, valve cover cap screw	2
43	J-645093	Screw, valve spring cover	1
44	J-630305	Gasket, valve spring cover	1
45	J-630303	Cover, valve spring	1
46	J-A-1395	Insulator	1
47	J-GM-103866	Plug, pipe	1
	J-638629	Insulator, Engine support, front	2
	J-GM-120371	Nut, hex. ) Insulator to front	( 2
	J-GM-120384	Lockwasher ) Engine plate	( 2
	J-GM-120213	Bolt hex. )	( 3
	J-GM-120393	Washer ) Insulator to Engine	( 3
	J-GM-120368	Nut ) support bracket	( 4
	J-GM-138485	Lockwasher )	( 4

Key	Parts No.	Nomenclature	No. Req'd
<u>CYLINDER HEAD</u>			
1	J-805384	Clip, spark plug cable lower	1
2	J-GM-161895	Screw, clip to bracket	1
3	J-805383	Clip, spark plug cable upper	1
4	J-GM-120368	Nut, hex.	1
5	J-GM-446363	Washer, plain	2
6	J-808419	Bracket, park plug cable	1
7	J-906459	Oil seal, rocker arm cover	2
8	JM60451	Cover, rocker arm	1
9	J-648798	Gasket, rocker arm cover	1
10	J-119138	Guide, intake valve	4
11	J-GM-103880	Plug, pipe	1
12	J-649708	Stud, rocker shaft support	4
13	J-GM-137404	Connector	1
14	J-GM-103877	Plug, pipe	1
15	J-800572	Head, cylinder ass'y	1
16	J-807036	Gasket, cylinder head JM64299	1
17	J-649719	Hose, by-pass	1
18	J-GM-271197	Clamp, hose by-pass	2
19	J-649720	Nipple, hose by-pass	1
20	JM60100-1	Thermostat	1
21	J-648852	Gasket, water outlet fitting	1
22	J-800293	Fitting, water outlet cylinder head	1
23	J-GM-120229	Bolt, hex. hd.	3
	J-GM-120219	Lockwasher, spring	3
24	J-805730	Bolt, cylinder head	12
25	J-801000	Bolt, hex. hd.	1
26	J-GM-103195	Stud, carburetor mounting	2
27	J-806206	Bolt, cylinder head	2
28	J-GM-120393	Washer, plain	1

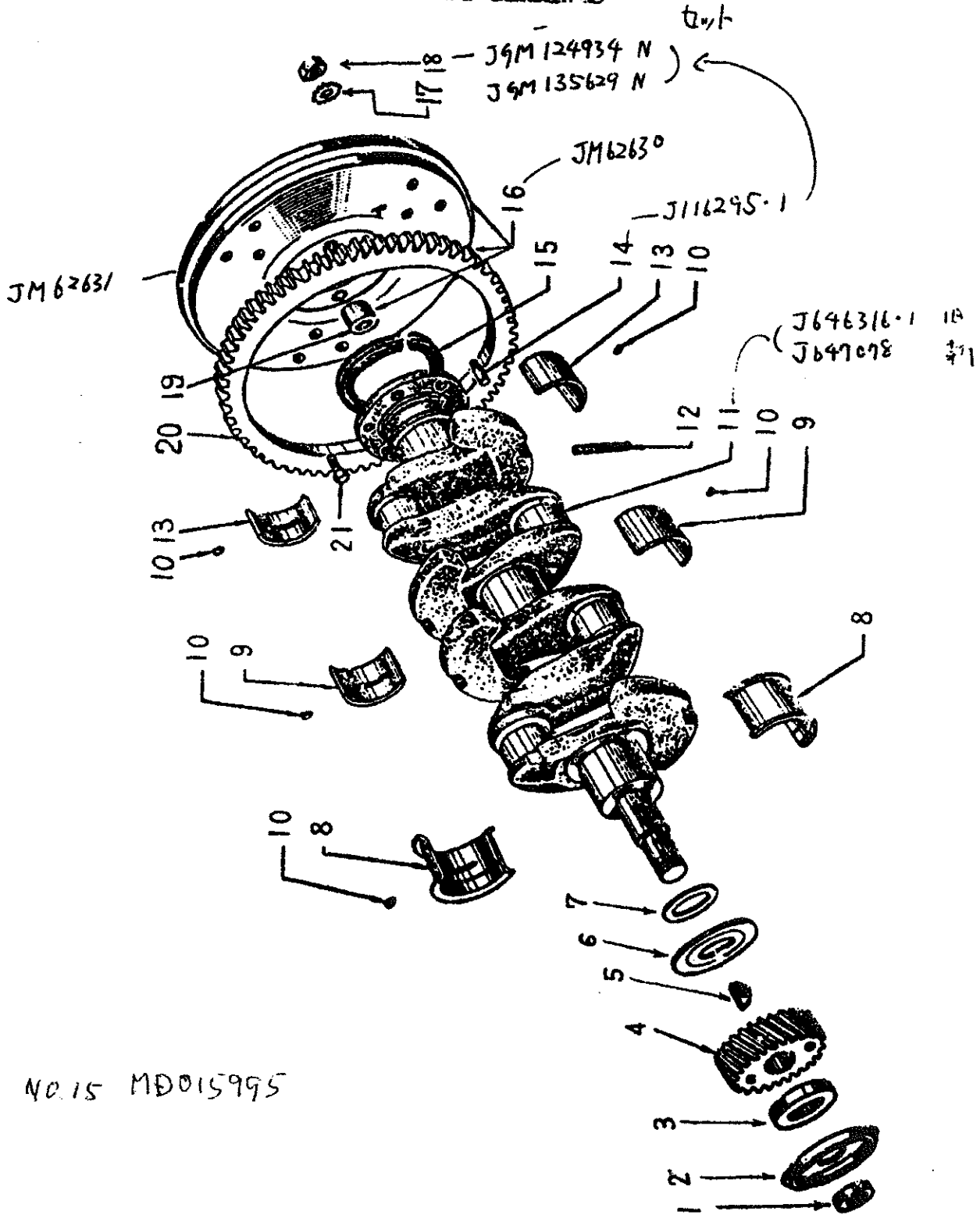
### CYLINDER HEAD



Key	Parts No.	Nomenclature	No. Req'd
<u>CRANKSHAFT, FLYWHEEL AND BEARINGS</u>			
1	J-647468	Oil seal, crankshaft front end	1
2	J-375877	Slinger, crankshaft oil	1
3	J-641281	Spacer, crankshaft gear	1
4	J-641282	Gear, crankshaft	1
5	J-GM-124552	Key, woodruff No.13	1
6	J-634796	Washer, thrust	1
7	J-630262	Shim, crankshaft	As req'd
8	J-645160	Bearing set, crankshaft front STD.	1
	J-645163	Bearing set, crankshaft front .25m/m U.S.	1
	J-645166	Bearing set, crankshaft front .50m/m U.S.	1
	J-645169	Bearing set, crankshaft front .75m/m U.S.	1
9	J-645161	Bearing set, crankshaft center STD.	1
	J-645164	Bearing set, crankshaft center .25m/m U.S.	1
	J-645167	Bearing set, crankshaft center .50m/m U.S.	1
	J-645170	Bearing set, crankshaft center .75m/m U.S.	1
10	J-635377	Dowel, crankshaft bearing	5
11	J-646316-1	Crankshaft ass'y	1
12	JM60340	Packing, crankshaft bearing cap rear	2
13	J-645162	Bearing set, crankshaft rear STD.	1
	J-645165	Bearing set, crankshaft rear .25m/m U.S.	1
	J-645168	Bearing set, crankshaft rear .50m/m U.S.	1
	J-645171	Bearing set, crankshaft rear .75m/m U.S.	1
14	J-116295-1	Dowel, flywheel to crankshaft	2
15	J-800093	Seal, crankshaft rear bearing	2
16	J-804314-1	Flywheel ass'y	1
17	J-GM-138489	Lockwasher, external tooth	4
18	J-909393	Nut, hex.	4
19	J-639578	Bushing, flywheel clutch shaft	1
20	J-802925	Gear, flywheel ring	1
21	J-632157	Bolt, hex. hd.	4



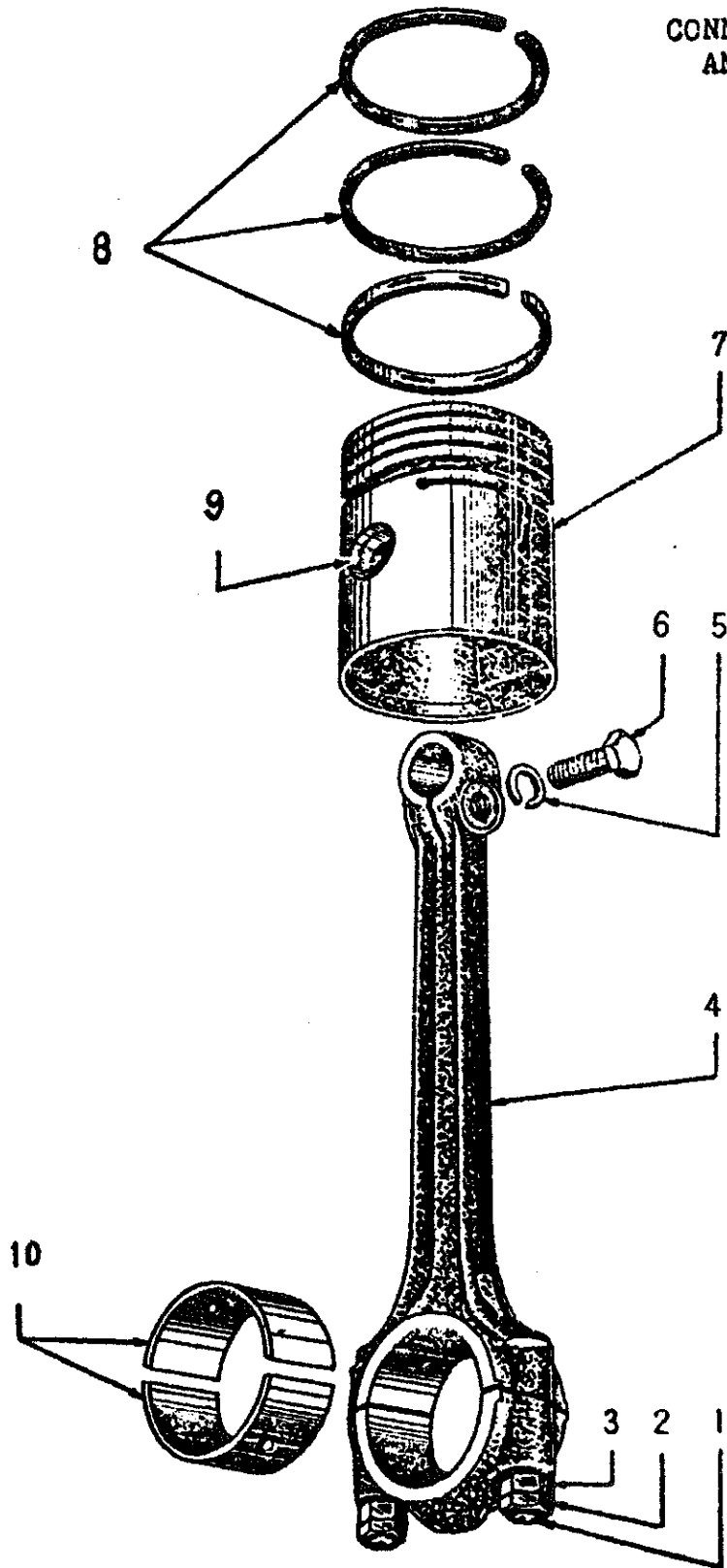
### CRANKSHAFT, FLYWHEEL AND BEARINGS



NO. 15 MD015995

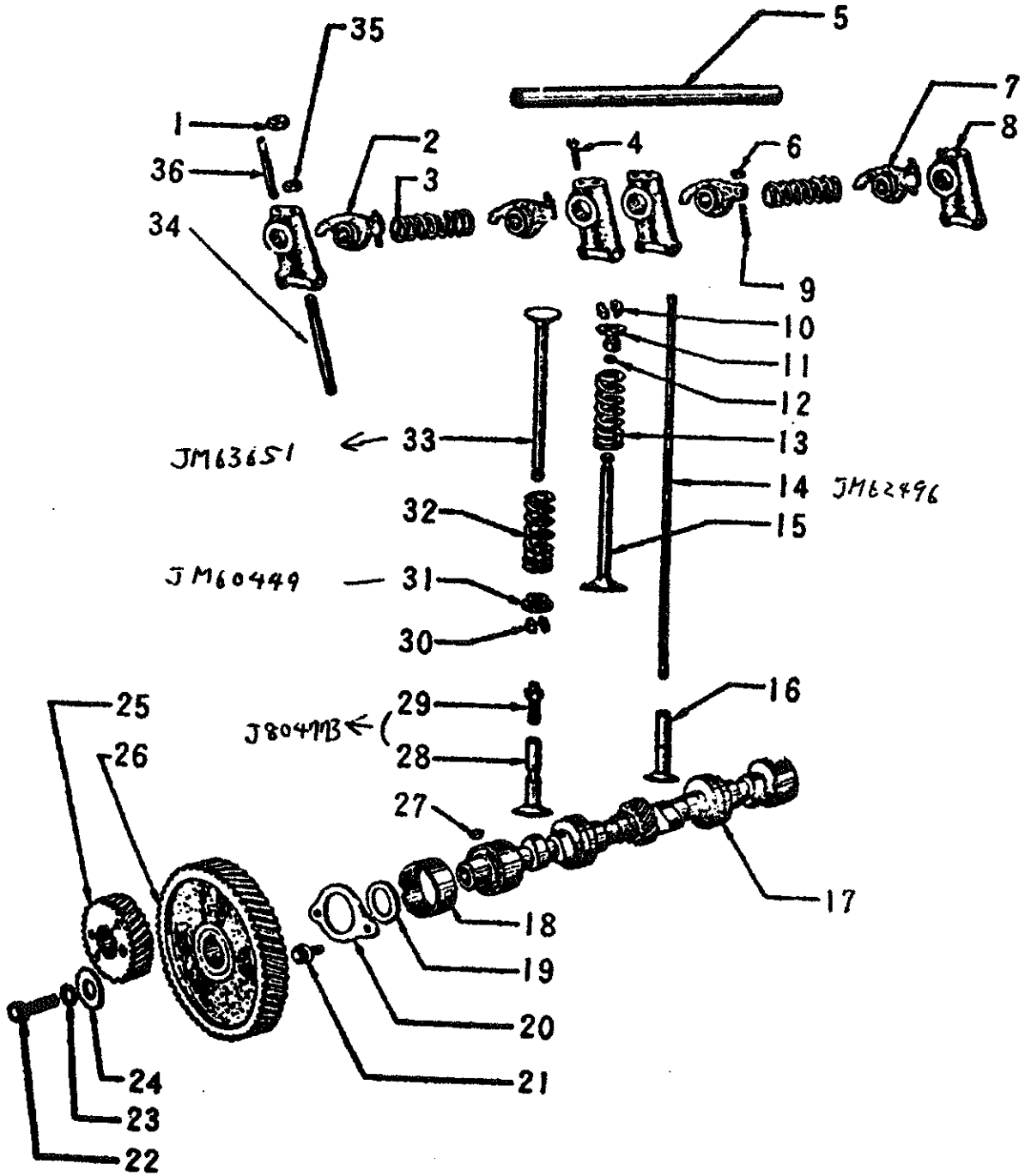
Key	Parts No.	Nomenclature	No. Req'd
<u>CRANKSHAFT, FLYWHEEL AND BEARINGS (Continued)</u>			
	J-GM-124934	Nut, dowel bolt	2
	J-GM-135629	Lockwasher, dowel bolt	2
	J-647078	Kit, crankshaft and dowel bolt	1
		Consists of:	
	J-116295-1	2 Bolt, dowel crankshaft	
	J-646316-1	1 Crankshaft ass'y	
	J-GM-135629	2 Lockwasher, dowel bolt	
	J-GM-124934	2 Nut, dowel bolt	
	J-805454-1	Kit, flywheel and dowel bolt	1
		Consists of:	
	J-804314	1 Flywheel ass'y	
	J-116295	2 Bolt, dowel	
	J-GM-124934	2 Nut, dowel bolt	
	J-GM-135629	2 Lockwasher, dowel bolt	

CONNECTING RC  
AND PISTON



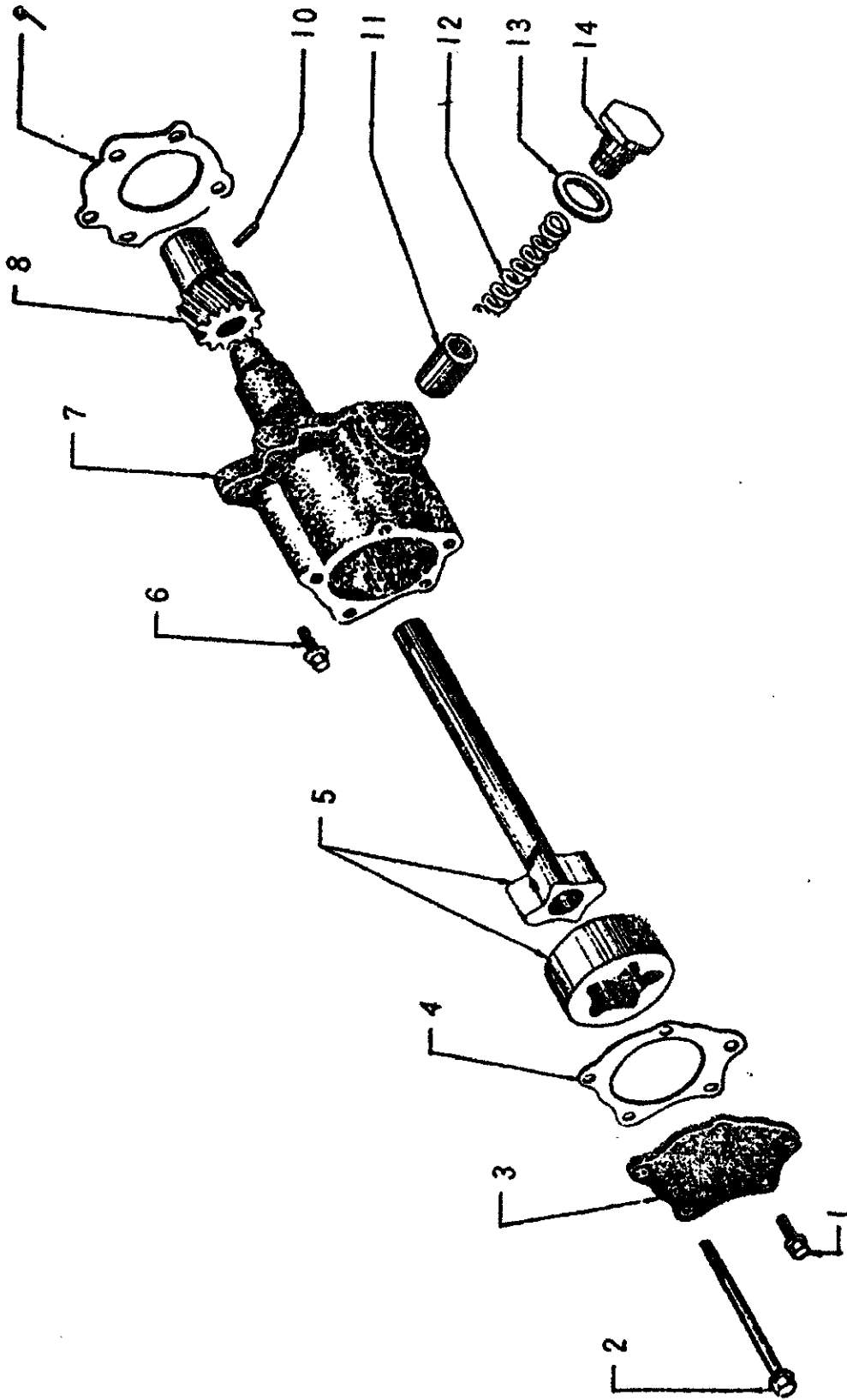
Key	Parts No.	Nomenclature	No. Req'd
CONNECTING ROD AND PISTON			
1	J-641768	Bolt, connecting rod cap	8
2	JM60222	Nut, stamped	8
3	J-641769	Nut, connecting rod cap bolt	8
4	J-641774	Rod, connecting, No.1 and No.3	2
	J-641775	Rod, connecting, No.2 and No.4	2
5	J-GM-120382	Lockwasher, piston pin screw	4
6	J-632157	Screw, lock piston pin	4
7	J-801476	Piston and pin ass'y	4
	J-801537	Piston and pin ass'y .25m/m O.S.	4
	J-801538	Piston and pin ass'y .50m/m O.S.	4
	J-801539	Piston and pin ass'y .75m/m O.S.	4
	J-801540	Piston and pin ass'y 1.00m/m O.S.	4
8	J-809045	Ring set, piston STD.	1
	JM60182	Ring set, piston .25m/m O.S.	1
	J-809047	Ring set, piston .50m/m O.S.	1
	J-809048	Ring set, piston .75m/m O.S.	1
	J-809049	Ring set, piston 1.00m/m O.S.	1
9	J-636961	Pin, piston	4
10	J-A-7233	Bearing set, connecting rod STD.	4
	J-A-7234	Bearing set, connecting rod .25m/m U.S.	4
	J-A-7235	Bearing set, connecting rod .50m/m U.S.	4
	J-A-7236	Bearing set, connecting rod .75m/m U.S.	4

VALVE, CAMSHAFT AND TIMING GEAR



Key	Parts No.	Nomenclature	No. Req'd
<u>VALVE, CAMSHAFT AND TIMING GEAR</u>			
1	J-GM-120368	Nut, hex.	2
2	JM60223	Arm, rocker left ass'y	2
3	J-649666	Spring, rocker arm shaft	2
4	J-648803	Screw, lock rocker shaft	2
5	J-805368	Shaft and plug, rocker arm	1
6	J-GM-124920	Nut, hex.	4
7	JM60224	Arm, rocker right ass'y	2
8	J-805374	Bracket, rocker arm shaft	4
9	J-800173	Screw, adjusting inlet valve tappet	4
10	J-375994	Lock, inlet valve spring retainer	8
11	J-649751	Retainer, inlet valve spring	4
12	J-800986	Oil seal, inlet valve spring retainer	4
13	J-800417	Spring, inlet valve	4
14	J-804622	Rod, push inlet valve	4
15	J-646421	Valve, inlet	4
16	J-800550-1	Tappet, inlet valve	4
17	J-800517	Camshaft	1
18	J-645595	Bushing, camshaft front	1
19	J-641049	Spacer, camshaft thrust plate	1
20	J-802576-1	Plate, thrust camshaft	1
21	J-GM-122119	Bolt, hex. hd.	2
	J-GM-138489	Lockwasher, external tooth	2
22	J-GM-122260	Bolt, hex. hd.	1
23	J-GM-136857	Lockwasher, external tooth	1
24	J-642520	Washer, camshaft gear	1
25	J-641282	Gear, crankshaft	1
26	J-641283	Gear, camshaft	1
27	J-GM-124549	Key, woodruff No.9	1
28	J-647071	Tappet, exhaust valve	4
29	J-640020	Screw, adjusting exhaust valve tappet	4
30	J-643334	Lock, exhaust valve spring retainer	8
31	J-802587	Cap, roto exhaust valve	4
32	J-638636	Spring, exhaust valve	4
33	J-802639	Valve, exhaust	4
34	J-649708	Stud, rocker shaft support	4
35	J-641769	Nut, special	4
36	J-808097	Stud, rocker arm cover front	1
	JM60787	Stud, rocker arm cover rear	1

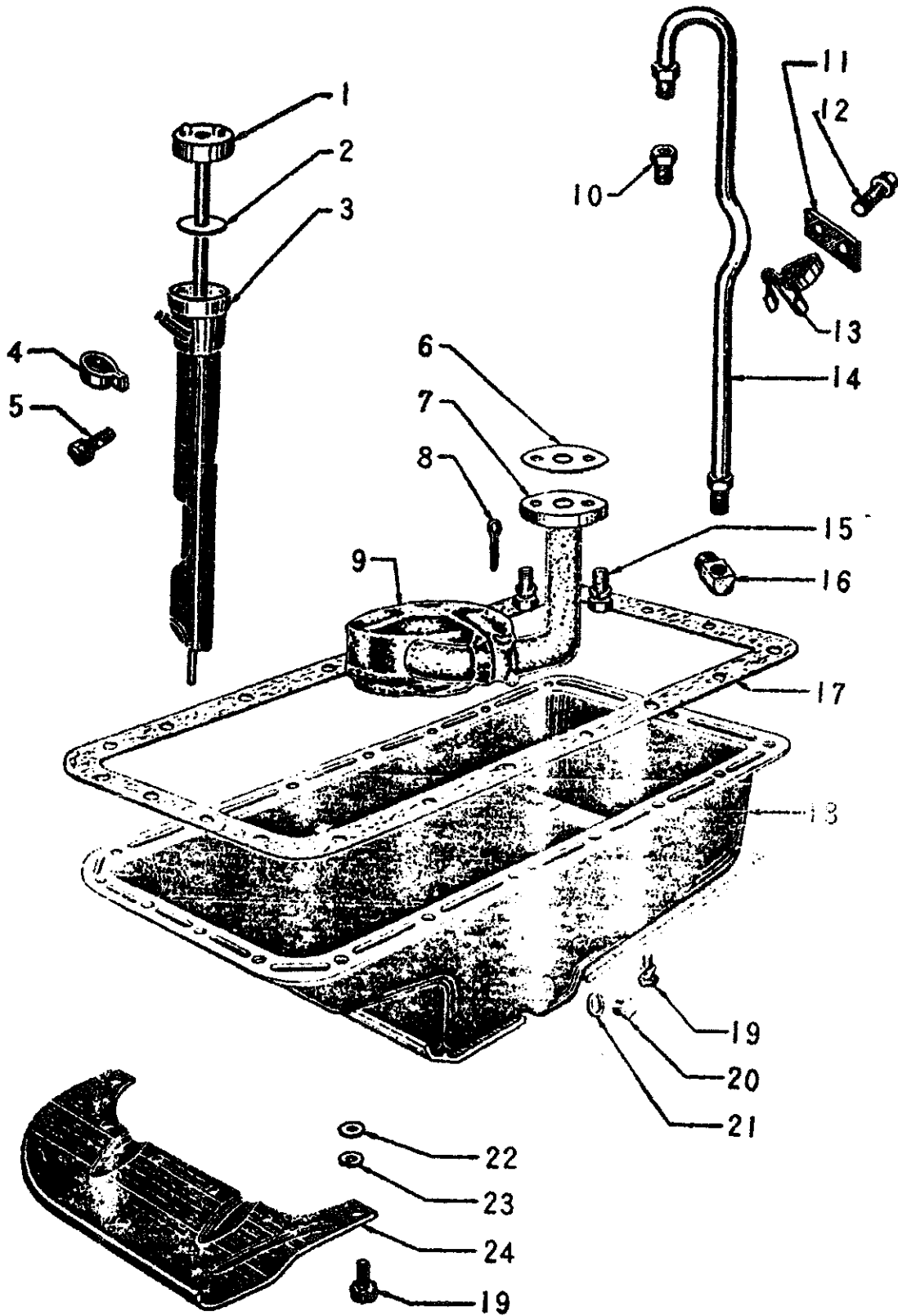
OIL PUMP



Key	Parts No.	Nomenclature	No. Req'd
<u>OIL PUMP</u>			
	J-804484-1	Pump, oil ass'y	1
1	J-GM-120854	Bolt, hex. hd.	3
	J-GM-120380	Lockwasher	3
2	J-GM-122077	Bolt, hex. hd.	2
	J-GM-138485	Lockwasher, external tooth	2
3	J-641479	Cover, body	1
4	J-641482	Gasket, cover	1
5	J-641742-1	Shaft and rotors	1
6	J-GM-122017	Bolt, hex. hd.	1
	J-GM-120214	Lockwasher	1
7	J-804486-1	Body, oil pump	1
8	J-641047	Gear, driven	1
9	J-646147	Gasket, pump to cylinder block	1
10	J-330964	Pin, driven gear	1
11	J-630518	Plunger, oil relief	1
12	J-808385	Spring, oil relief plunger	1
13	J-634813	Gasket, oil relief spring retainer	1
14	J-630390	Retainer, oil relief spring	1
	J-643362-1	Kit, repair oil pump	1
		Consists of:	
	J-641482	1 Gasket, cover	
	J-634813	1 Gasket, oil relief spring retainer	
	J-641047	1 Gear, driven	
	J-330964	1 Pin, driven gear	
	J-641742-1	1 Shaft and rotors	

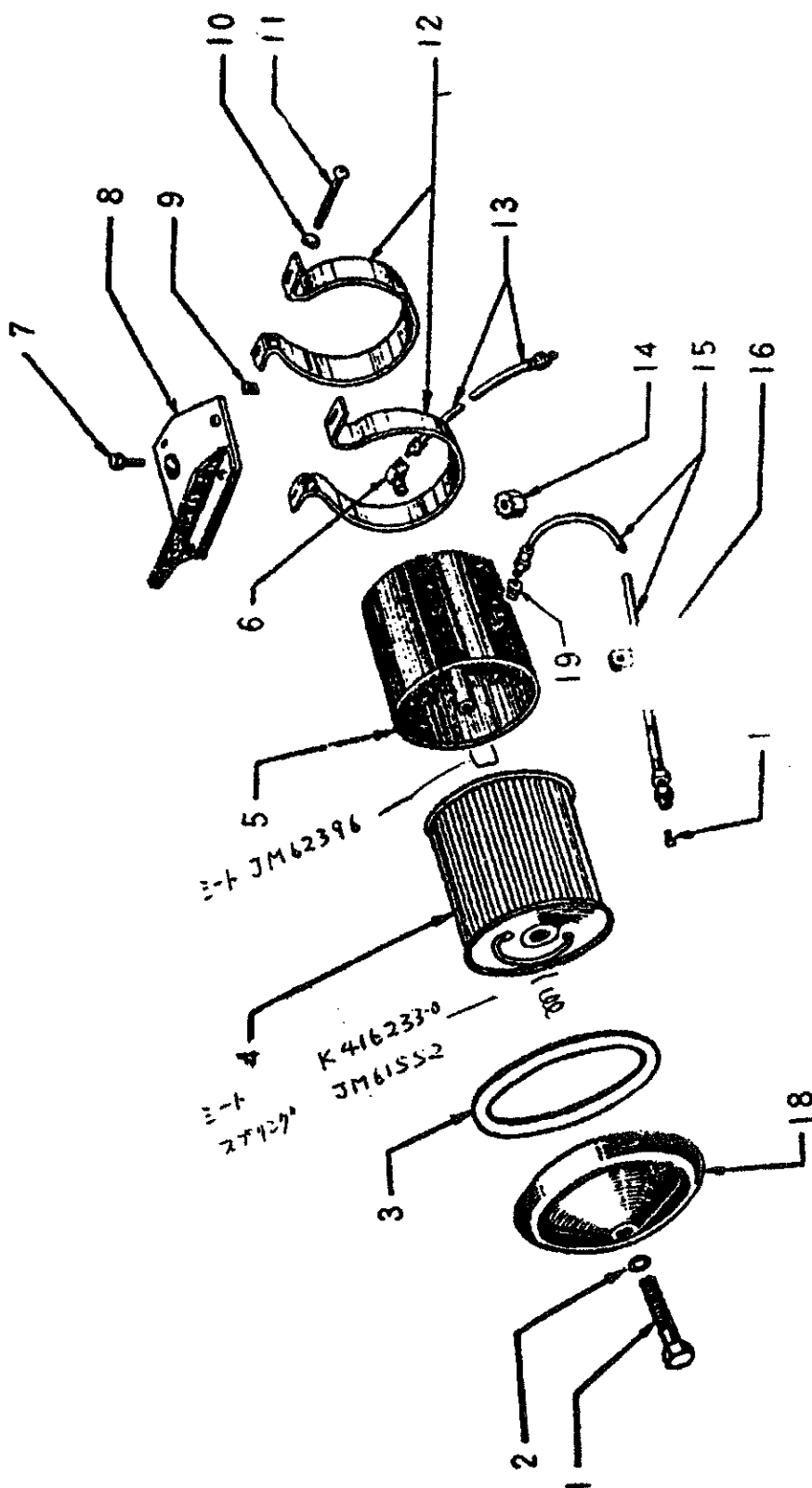


OIL PAN, OIL FLOAT  
AND OIL FILLER



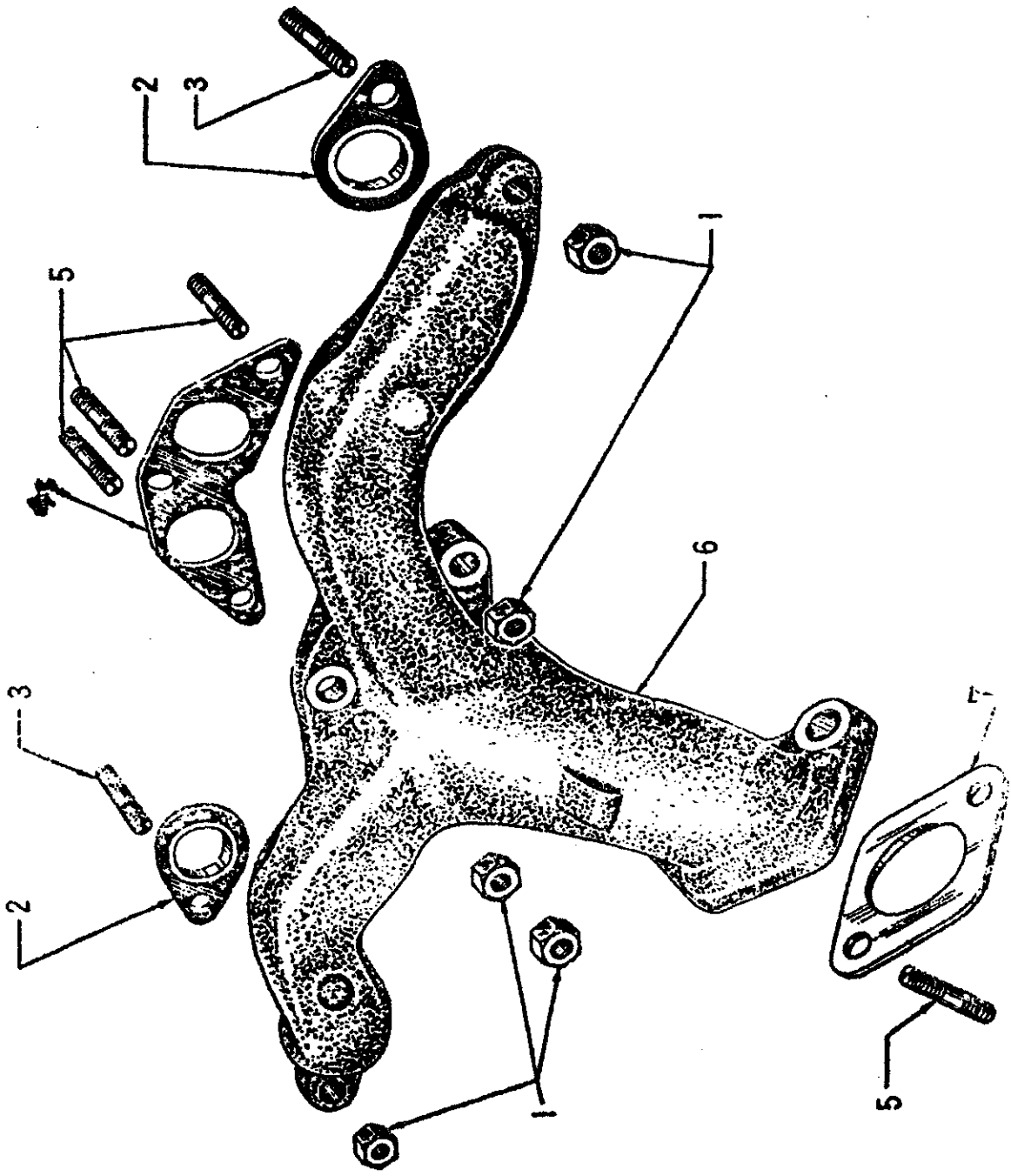
Key	Parts No.	Nomenclature	No. Req'd
<u>OIL PAN, OIL FLOAT AND OIL FILLER</u>			
1	J-A-6525-1	Cap and level indicator ass'y	1
2	J-A-7280	Gasket, oil filler cap	1
3	J-808603	Tube, oil filler ass'y	1
4	J-A-5105	Bracket, support oil filler tube	1
5	J-GM-122017	Bolt, hex. hd.	1
	J-GM-120214	Lockwasher, spring	1
6	J-630398	Gasket, oil float	1
7	J-630397	Support, oil float	1
8	J-GM-120123	Pin, cotter	1
9	J-630396	Float, oil ass'y	1
10	J-GM-137404	Connector	1
11	J-800549	Bracket, oil line clip	1
12	J-GM-120706	Bolt, hex. hd.	1
	J-GM-120380	Lockwasher	1
13	J-645539	Fastener, tube oil line to bracket	1
14	J-648865	Tube, crankcase to cylinder head	1
15	J-GM-122007	Bolt, hex. hd.	2
	J-GM-120214	Lockwasher	2
16	J-GM-137420	Elbow, flared tube	1
<del>17</del>	<del>J-639980-1</del>	<del>Gasket, oil pan</del>	<del>1</del>
18	J-A-7238-1	<del>Pan, oil</del>	<del>1</del>
19	J-GM-120228	Bolt, hex. hd.	20
	J-GM-138485	Lockwasher, external tooth	20
20	J-639979	Plug, drain oil pan	1
21	J-806515	Gasket, drain plug	1
22	J-A-6701	Washer, retaining	6
23	J-A-1125	Washer, shield	6
24	J-A-1124-1	Shield, fan pulley	1

OIL FILTER



Key	Parts No.	Nomenclature	No. Req'd
<u>OIL FILTER</u>			
	-4		
	J-808042-1	Filter, oil ass'y	1
1	J-119110	Screw, oil filter cover	1
2	J-118508	Gasket, cover screw	1
3	J-647343	Gasket, cover	1
4	JM60427	Element, oil filter	1
5	JM60428-1	Body, oil filter	1
6	J-GM-125859	Elbow, flared tube	1
7	J-GM-120741	Bolt, hex. hd.	3
8	J-802087	Bracket, oil filter	1
9	J-119774	Nut, clamp bolt	2
10	J-119775	Lockwasher, clamp bolt	2
11	J-119773	Bolt, strap clamp	2
12	J-119772-3	Strap, oil filter	2
13	JM60409	Tube, oil filter outlet	1
14	J-GM-120368	Nut, hex.	4
	J-GM-138485	Lockwasher, external tooth	4
15	J-644406	Tube, oil filter inlet	1
16	J-GM-128302	Clip, inlet tube	1
17	J-GM-137421	Elbow, flared tube	1
18	J-118509	Cover, oil filter	1
19	J-GM-137405	Connector	1
	J-GM-122017	Bolt, hex. hd.	1
	J-GM-120214	Lockwasher, spring	1
	J-647345-1	Kit, oil filter element and gasket	1
		Consists of:	
	JM60427	1 Element, oil filter	
	J-647343	1 Gasket, oil filter cover	

EXHAUST MANIFOLD

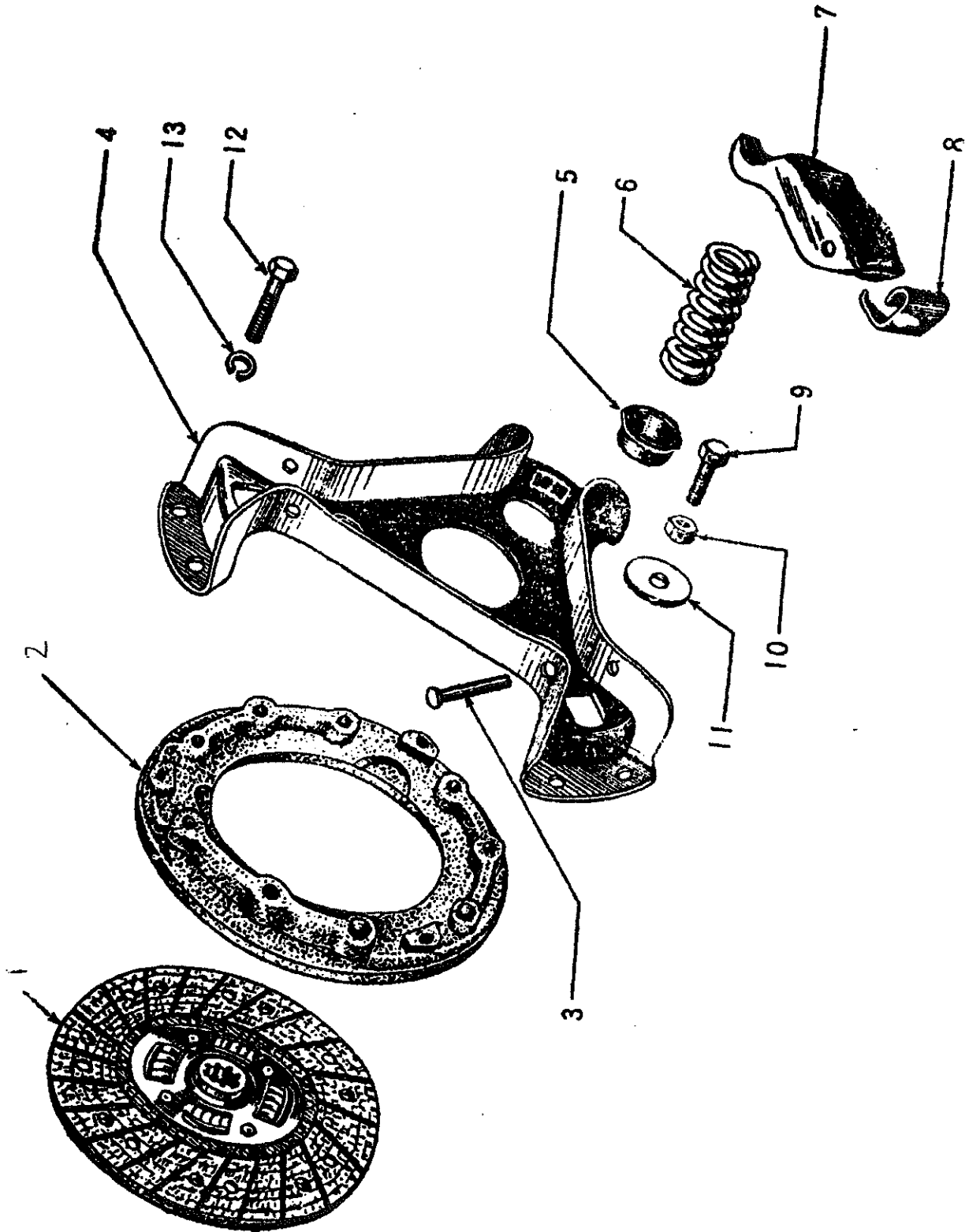


Key	Parts No.	Nomenclature	No. Req'd
-----	-----------	--------------	-----------

EXHAUST MANIFOLD

1	J-53287	Nut, hex.	5
2	J-648795	Gasket, exhaust manifold end	2
3	J-A-564	Stud	2
4	J-648935	Gasket, exhaust manifold center	1
5	J-GM-103196	Stud	4
6	J-648766-1	Manifold, exhaust	1
7	J-634814	Gasket, exhaust pipe flange	1
	J-801345	Gasket set, manifold	1
		Consists of:	
	J-648935	1 Gasket, exhaust manifold center	
	J-648795	2 Gasket, exhaust manifold end	
	J-634814	1 Gasket, exhaust pipe flange	

CLUTCH



Key	Parts No.	Nomenclature	No. Req'd
-----	-----------	--------------	-----------

CLUTCH

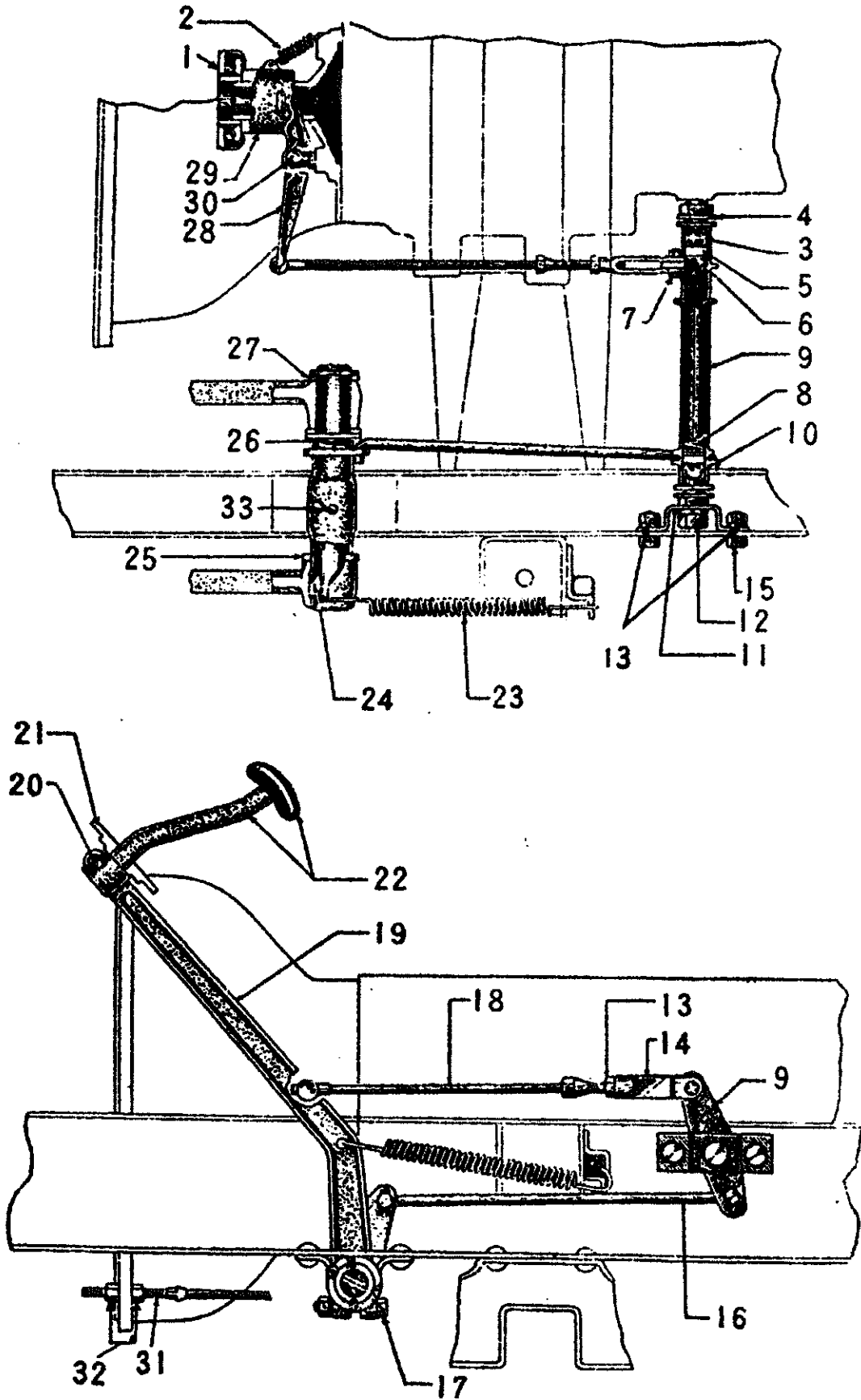
	J-906467	Clutch ass'y (w/o Driven Plate)	1
1	J-642918	Plate and hub, driven clutch	1
2	J-805017	Plate, pressure	1
3	J-638159	Pin, pivot	3
4	J-640578	Bracket, clutch	1
5	J-638157	Cup, spring	3
6	J-906468	Spring, pressure	3
7	J-638158	Lever, release	3
8	J-805197	Clip, return	3
9	J-805014	Screw, adjusting	3
10	J-805016	Nut, jam	3
11	J-805015	Washer, adjusting screw	3
12	J-630129	Bolt, hex. hd.	6
13	J-GM-12063	Lockwasher	6
	J-640636	Facing set, clutch driven plate	1
		Consists of:	
	J-640361	1 Facing, clutch driven plate front	
	J-640360	1 Facing, clutch driven plate rear	
	J-641695	20 Rivet, clutch facing to driven plate	

CLUTCH LINKAGE

1	JM60330	Bearing, clutch release	1
2	J-630117	Spring, retracting	1
3	J-A-181	Scud, ball clutch control tube	1
4	J-A-887	Seal, dust clutch control tube	2
5	J-A-176	Pad, felt clutch control tube	2
6	J-A-177	Retainer, control tube clutch	2
7	J-339043	Pin, clevis	1
8	J-A-178	Spring, control tube clutch	1
9	J-642624	Lever and tube control clutch ass'y	1
10	J-A-179	Stud, ball, clutch	1
11	J-A-180	Bracket, control frame clutch	1
12	J-GM-451403	Nut, hex.	1
	J-GM-120123	Pin, cotter	2
13	J-GM-120368	Nut, hex.	3
14	J-632177	Yoke, adjusting end	1

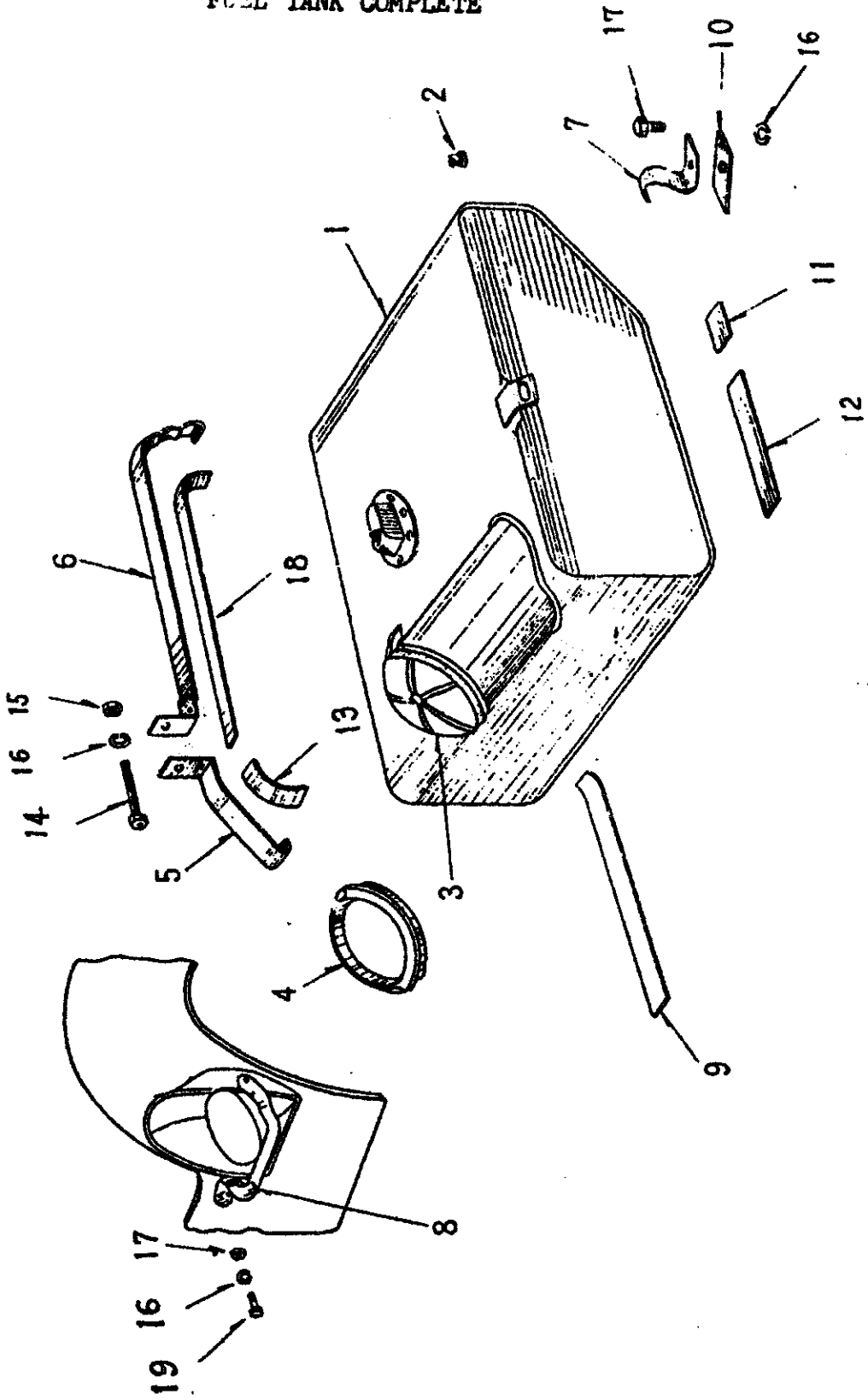


### CLUTCH LINKAGE



Key	Parts No.	Nomenclature	No. Req'd
<u>CLUTCH LINKAGE</u> (Continued)			
	J-GM-137159	Pin, cotter	1
15	J-GM-123473	Bolt, hex. hd.	2
	J-GM-120214	Lockwasher	2
16	J-640123	Rod, release pedal clutch	1
	J-GM-137159	Pin, cotter	2
17	J-641954	Bolt, hex. hd.	1
18	J-640124	Cable, control lever clutch	1
19	J-A-10269	Pedal, clutch	1
20	J-GM-122027	Screw, hex. hd.	1
		Washer	
		Spring	
21	J-807208	Pad, draft clutch pedal	1
22	J-905859	Pad, <u>clutch pedal ass'y</u>	1
23	J-630593	Spring, retracting clutch pedal	1
24	J-GM-124549	Key, woodruff No.9	1
25	J-A-498	Washer, plain	1
26	J-A-495	Shaft, brake pedal ass'y	1
27	J-647592	Bar, tie master cylinder	1
28	J-630112	Lever, clutch control	1
29	J-644366-2	Carrier, clutch release bearing	1
30	J-630068	Fulcrum, clutch release lever	1
31	J-804488	Cable, stay engine	1
32	J-GM-120369	Nut, hex.	2
	J-GM-138489	Washer, external tooth	2
33	JM03093	Fitting	1

FUEL TANK COMPLETE

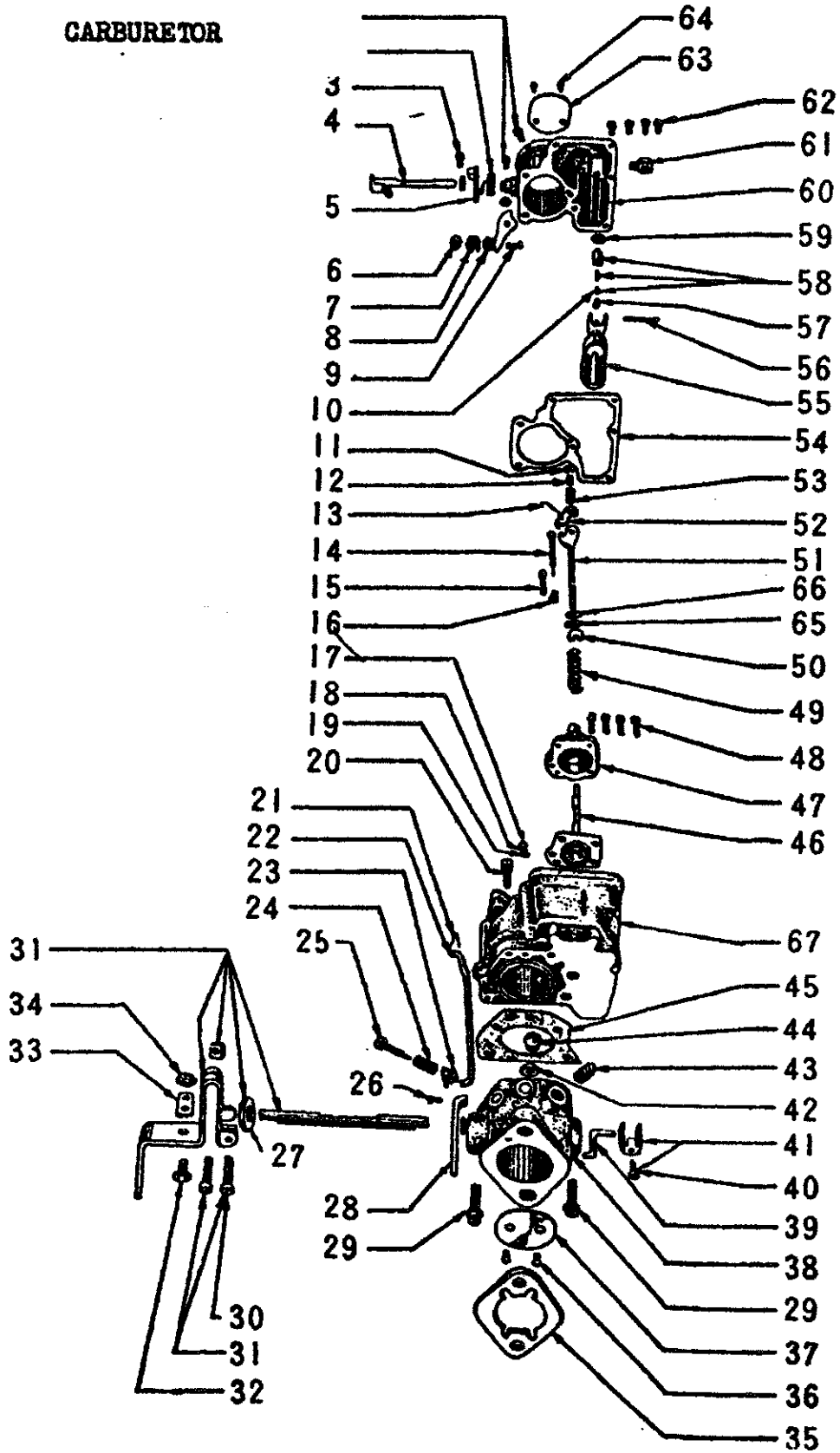


Key	Parts No.	Nomenclature	No. Req'd
<b><u>FUEL TANK COMPLETE</u></b>			
	JM01572	Tank, fuel ass'y, complete	1
1	J-649759	Tank, fuel ass'y	1
2	J-807134	Plug, pipe hex. hd.	1
3	JM00105	Cap and strainer ass'y, fuel tank	1
4	JM00059	Grommet, fuel tank	1
5	JM00057	Bracket, fuel tank	1
6	JM00054	Band ass'y, holding, fuel tank	1
7	JM00058	Bracket, anchor, fuel tank	1
8	JM00063	Cover, fuel tank	1
9	JM01571-8	Packing, fuel tank	2
10	JM02497	Packing, fuel tank	1
11	JM01571-12	Packing, fuel tank	1
12	JM01571-15	Packing, fuel tank	1
13	JM01571-16	Packing, fuel tank	1
14	JM03821	Bolt, hex. hd.	1
15	J-GM-120376	Nut, hex.	5
16	J-GM-120214	Lockwasher	6
17	J-GM-122017	Bolt, hex. hd.	1
18	JM01571-19	Packing, fuel tank	1
19	J-GM-120228	Bolt, hex. hd.	4

**CARBURETOR**

	J-806305-1	Carburetor ass'y	1
1	J-117944	Screw and washer	2
2	J-117934	Spring, choke lever	1
3	J-116211	Screw, wire clamp	1
4	J-117926	Shaft and lever, choke	1
5	J-119528	Lever, choke	1
6	J-116219	Nut, tube bracket	1
7	J-119918	Clamp, throttle tube	1
8	J-119916	Clamp, choke and throttle tubes ass'y	1
9	J-119919	Screw, tube bracket	1
10	J-116191	Spring, inlet needle	1
11	J-117942	Retainer, pump spring upper	1
12	J-119228	Spring, pump upper inner	1
13	J-117935	Spring, metering rod	1

CARBURETOR



Key	Parts No.	Nomenclature	No. Req'd
<u>CARBURETOR</u> (Continued)			
14	J-119226	Rod, metering	1
15	J-119846	Jet, low speed	1
16	J-117952	Jet, metering rod	1
17	J-119169	Retainer, ball check weight	1
18	J-119167	Weight, ball check	1
19	J-119168	Valve, check aluminum ball	1
20	J-116891	Screw and washer	1
21	J-116178	Spring, pin	1
22	J-117949	Rod, connector fast idle	1
23	J-117957	Clip, clevis	1
24	J-118548	Spring, idle screw	1
25	J-117932	Screw, idle adjustment	1
26	J-117924	Plug, rivet passage body flange	1
27	J-119537	Washer, throttle shaft	1
28	J-117933	Arm, fast idle	1
29	J-116891	Screw and washer, body flange	2
30	J-116651	Screw, adjusting throttle lever	1
31	J-119780	Shaft and lever, throttle ass'y	1
32	J-GM-159908	Screw, pan head	1
33	J-809669	Adapter, throttle arm	1
34	J-805004	Nut and washer	1
35	J-648970	Gasket, insulator carburetor	1
36	J-116217	Screw, throttle valve	2
37	J-118061	Valve, throttle	1
38	J-119673	Flange, body	1
39	J-117951	Link, connector	1
40	J-GM-132103	Screw, throttle shaft arm	1
41	J-117948	Arm, throttle shaft ass'y	1
42	J-GM-120369	Nut, hex.	2
43	J-GM-103877	Plug, pipe	1
44	J-116162	Plug, rivet idle port	1
45	J-117953	Gasket, body flange	1
46	J-117958	Diaphragm ass'y	1
47	J-118131-1	Housing, pump diaphragm	1
48	J-117946	Screw, pump diaphragm	4
49	J-117936	Spring, pump diaphragm	1
50	J-117940	Retainer, pump diaphragm spring	1
51	J-117950	Link, pump lifter	1
52	J-117947	Arm, metering ass'y	1

JM 602 26-1

Key	Parts No.	Nomenclature	No. Req'd
<u>CARBURETOR</u> (Continued)			
53	J-119227	Spring, pump upper outer	1
54	J-117954-1	Gasket, body cover and air horn	1
55	J-117928	Float and lever ass'y	1
56	J-117929	Pin, float lever	1
57	J-116177	Pin, inlet needle	1
58	J-118549	Needle, spring and seat ass'y	1
59	J-116168	Gasket, needle seat	1
60	J-119677-1	Horn, air ass'y	1
61	J-GM-137421	Elbow, tube	1
62	J-116892	Screw and washer	5
63	J-117923	Valve, choke	1
64	J-116216	Screw, choke valve	2
65	J-120486	Retainer	1
66	J-119883	Packing	1
67	JM60278-1	Body, carburetor	1
	J-808520-1	Gasket set, carburetor	1
		Consists of:	
	J-117953	1 Gasket, body flange	
	J-117954-1	1 Gasket, body cover and air horn	
	J-648970	1 Gasket, insulator carburetor	
	J-116168	1 Gasket, needle seat	
	J-120215-1	Kit, repair carburetor	1
		Consists of:	
	J-117948	1 Arm, throttle shaft ass'y	
	J-117958	1 Diaphragm ass'y	
	J-117954-1	1 Gasket, body cover and air horn	
	J-117953	1 Gasket, body flange	
	J-648970	1 Gasket, insulator carburetor	
	J-119846	1 Jet, low speed ass'y	
	J-117952	1 Jet, metering rod	
	J-117951	1 Link, pump connector	
	J-117950	1 Link, pump lifter	
	J-118549	1 Needle, spring and seat ass'y	
	J-116162	1 Plug, rivet idle port	
	J-119883	1 Packing, lifter link gas seal	
	J-117940	1 Retainer, pump diaphragm spring	
	J-117942	1 Retainer, upper pump spring	

Key	Parts No.	Nomenclature	No. Req'd
-----	-----------	--------------	-----------

CARBURETOR (Continued)

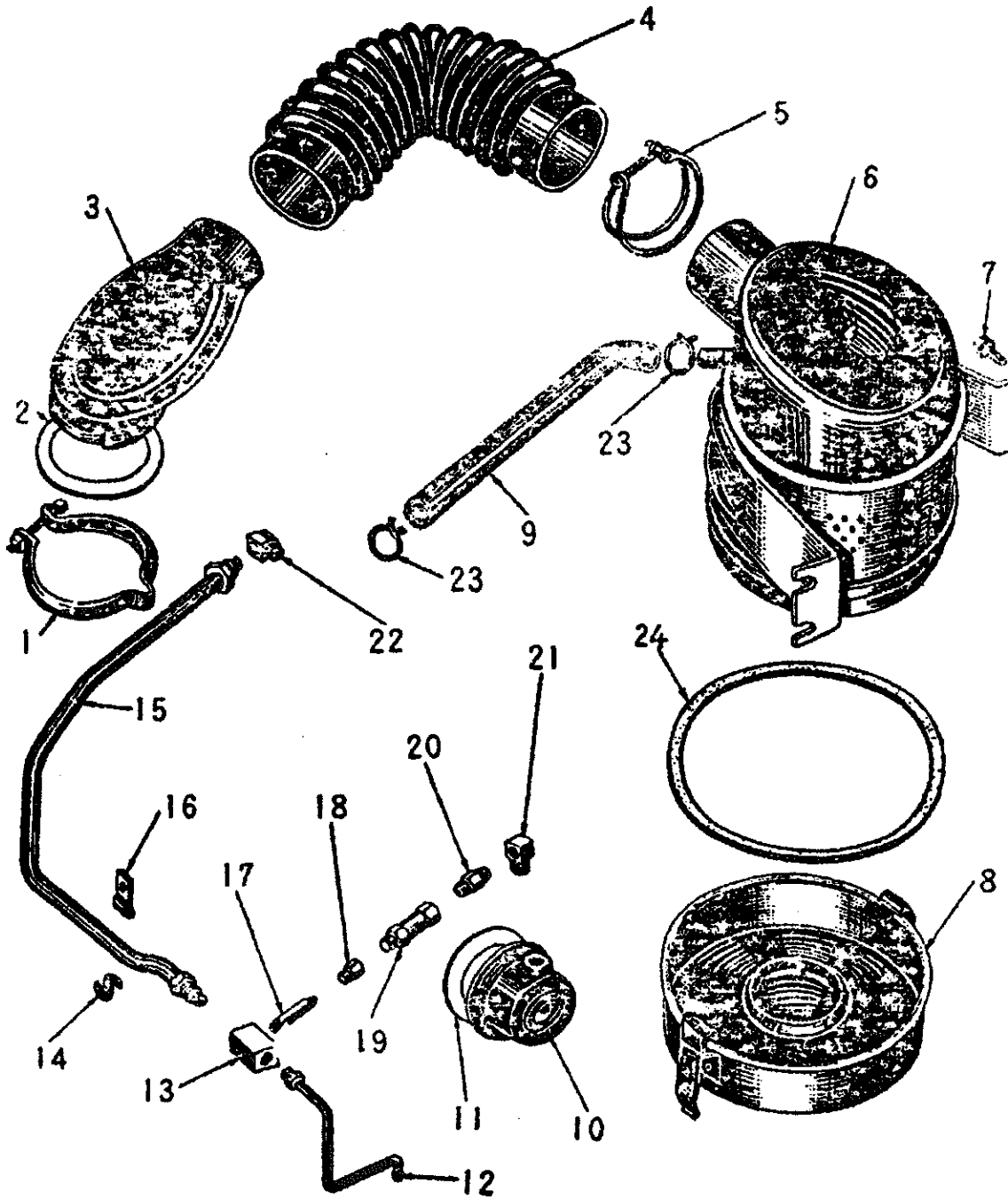
	J-120486	1 Retainer, lifter link gas seal packing	
	J-119226	1 Rod, metering	
	J-116217	2 Screw, throttle valve	
	J-116178	1 Spring, pin	
	J-117936	1 Spring, pump diaphragm	
	J-119228	1 Spring, pump upper inner	
	J-119227	1 Spring, pump upper outer	
	JM60283	1 Plug, steel ball	
	J-119169	1 Retainer, ball check weight	
	J-119168	1 Valve, check aluminum ball	
	J-119167	1 Weight, ball check	

AIR CLEANER

	J-808037-1	Cleaner, air ass'y	1
1	J-805659	Clamp, air horn to carburetor	1
2	J-803699	Gasket, air horn to carburetor	1
3	J-806940	Horn, air cleaner	1
4	J-806254-1	Connector, flexible	1
5	J-GM-141518	Clamp, hose	2
6	JM60556	Body and element, air cleaner ass'y	1
7	J-GM-121887	Bolt, hex. hd.	4
	J-GM-121753	Lockwasher, external tooth	4
8	JM60554	Cup and clamp, air cleaner	1
9	J-808594	Hose, air cleaner to oil filler tube	1
10	J-A-6919	Body, crankcase ventilator ass'y	1
11	J-630299	Gasket, ventilator to valve spring cover	1
12	J-809368	Tube, vacuum pump to tee	1
13	JM60417	Tee, tow way	1
14	JM60418	Clip, tube	3
15	JM60415	Tube, vacuum line ass'y	1
16	J-GM-127879	Clip, closed	1
17	J-GM-192466	Nipple, pipe	1
18	J-810109	Coupling, reducing	1
19	JM60445	Valve, crankcase ventilator ass'y	1
20	J-810617	Nipple, reducing pipe	1
21	J-809656	Elbow, pipe	1

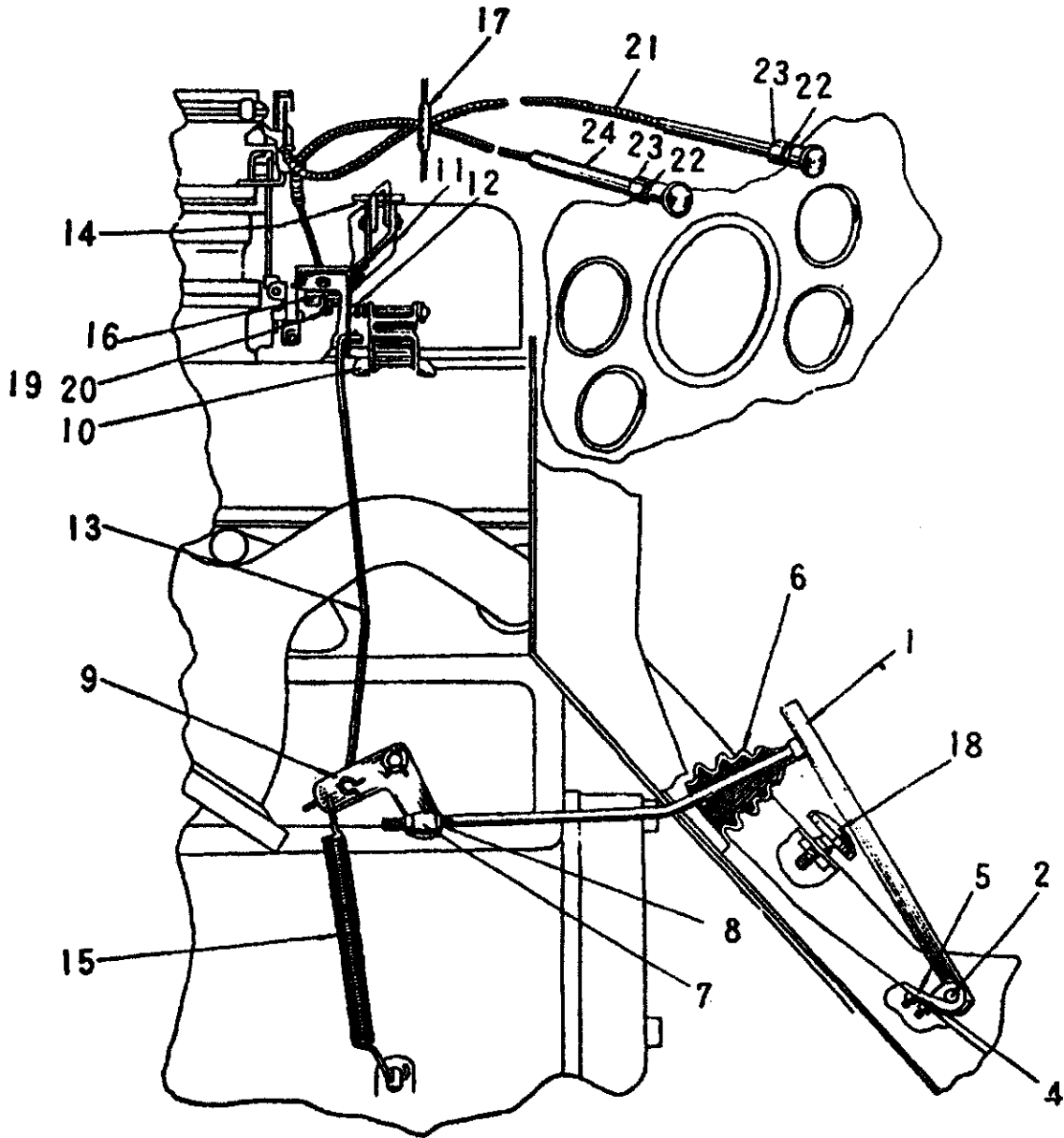


AIR CLEANER



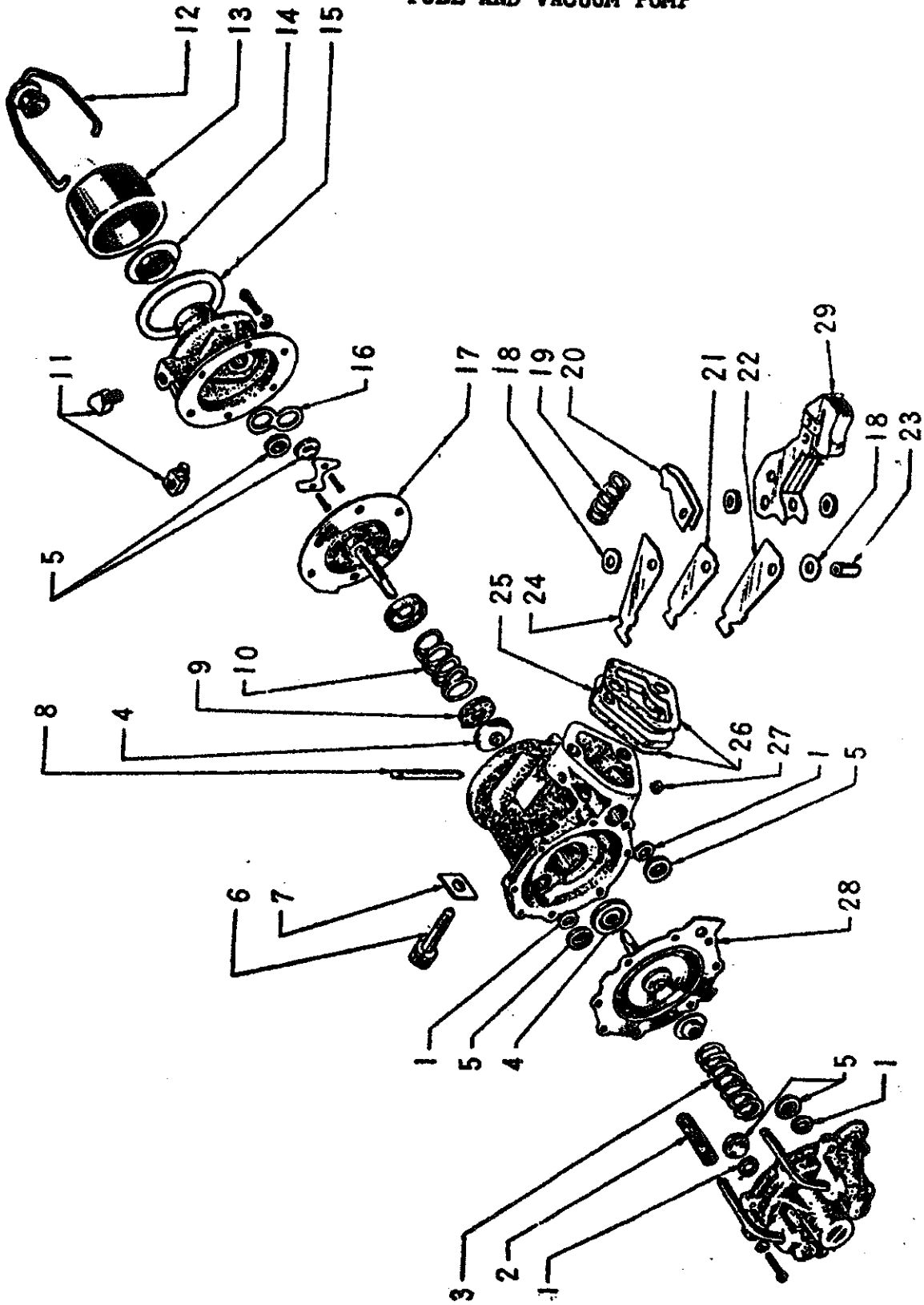
Key	Parts No.	Nomenclature	No. Req'd
<u>AIR CLEANER (Continued)</u>			
22	JM60419	Elbow, flared tube	1
23	J-GM-271197	Clamp, hose	2
24	JM60555	Oil seal, air cleaner	1
<u>CHOKE THROTTLE CONTROL ACCELERATOR AND LINKAGE</u>			
1	J-808928	Treadle, subaccelerator ass'y	1
	J-808929	Rod, accelerator ass'y	1
2	J-650484	Pin, hinge accelerator treadle	1
3	J-GM-112726	Pin, cotter	1
	J-650481	Hinge accelerator treadle (male)	1
4	J-650482	Hinge, accelerator treadle (female)	1
5	J-650483	Spring, hinge accelerator treadle	1
6	JMD1066	Seal, accelerator treadle rod	1
7	J-805728	Block, adjusting throttle rod	1
8	J-GM-120367	Nut, hex.	2
9	J-808333	Crank, bell lower ass'y	1
	J-GM-120387	Washer, plain	4
	J-GM-137141	Pin, cotter	8
10	J-805479	Bracket, bell crank	1
11	J-805480	Crank, bell upper ass'y	1
12	J-805483	Spring, bell crank upper	1
13	J-806952	Rod, bell crank link	1
14	J-805484	Rod, bell crank to carburetor	1
15	J-803358	Spring, retracting accelerator	1
16	J-809669	Adapter, throttle arm	1
17	JMD1042	Grommet, choke and throttle control	1
18	J-641922	Rest, foot accelerator ass'y	1
	J-GM-120368	Nut, hex.	1
19	J-372438	Stop, throttle wire	1
20	J-GM-122159	Screw, round head	1
21	J-807669	Control, choke ass'y	1
22	J-GM-138542	Washer, internal tooth	2
23	J-GM-120369	Nut, hex.	2
24	J-807667	Control, throttle ass'y	1

CHOKE THROTTLE CONTROL ACCELERATOR AND LINKAGE



Key	Parts No.	Nomenclature	No. Req'd
<u>FUEL AND VACUUM PUMP</u>			
	J-120206	Kit, fuel and vacuum pump with mounting gaskets	1
1	J-118490	Gasket, valve cage	2
2	J-809369	Hose, windshield wiper	2
3	J-117160	Spring, diaphragm vacuum section	1
4	J-119241	Oil seal	2
5	J-118486	Valve and cage ass'y	6
6	JM60397-1	Bolt, hex. special	2
	J-GM-120214	Lockwasher	2
7	J-805842	Washer, rectangular	2
8	J-116329	Pin, rocker arm	1
9	J-119242	Retainer, oil seal	2
10	J-117908	Spring, diaphragm vacuum section	1
11	J-GM-137421	Elbow, tube	2
12	J-119224	Bail, fuel pump bowl	1
13	J-115655	Bowl, fuel pump	1
14	J-115654	Screen, fuel pump	1
15	J-115656	Gasket, fuel pump bowl	1
16	J-116748	Gasket, valve cage	1
17	J-120093	Diaphragm and pull rod, fuel section	1
18	J-116347	Spacer	2
19	J-116332	Spring, rocker arm	1
20	J-116346	Spacer, link	1
21	J-116343	Link, fuel pump	1
22	J-116344	Link, fuel pump left	1
23	J-117138	Bushing	1
24	J-116345	Link, fuel pump right	1
25	J-647669	Spacer, fuel and vacuum pump	1
26	J-638737	Gasket, fuel pump to block	2
27	J-116330	Washer, rocker arm pin	1
28	J-120098	Diaphragm and pull rod, vacuum section	1
29	J-120204	Arm, rocker ass'y	1
	J-810639	Kit, fuel pump diaphragm fuel section	1
		Consists of:	
	J-120093	1 Diaphragm and pull rod ass'y	
	J-116748	1 Gasket, valve cage	
	J-638737	2 Gasket, fuel pump to block	
	J-115656	1 Gasket, fuel pump bowl	

### FUEL AND VACUUM PUMP

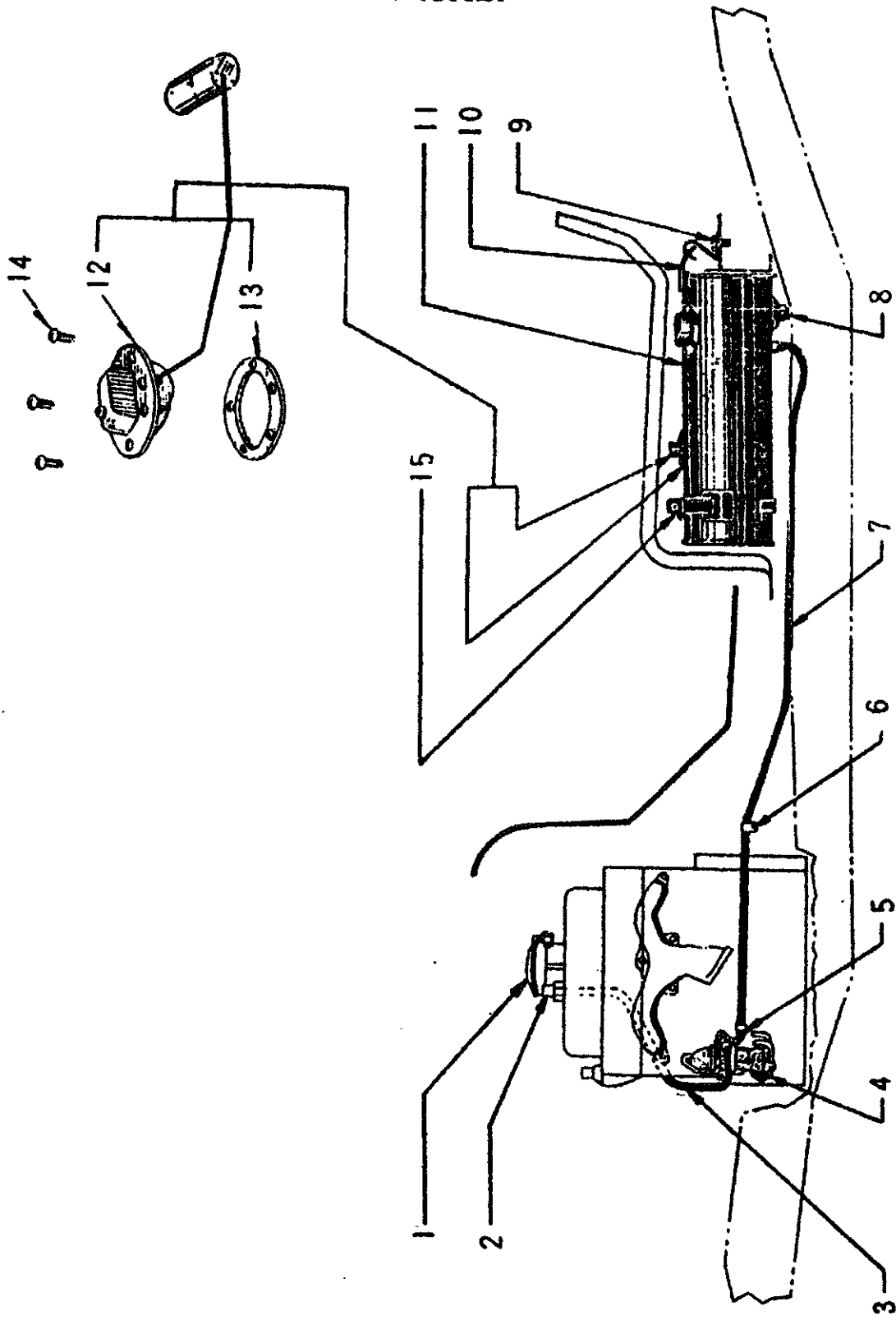


Key	Parts No.	Nomenclature	No. Req'd
-----	-----------	--------------	-----------

FUEL AND VACUUM PUMP (Continued)

J-118486	2 Valve and cage ass'y		
J-810638	Kit, fuel pump diaphragm vacuum section		1
	Consists of:		
J-120098	1 Diaphragm and pull rod ass'y		
J-638737	2 Gasket, fuel pump to block		
J-118490	3 Gasket, valve cage		
J-118486	4 Valve and cage ass'y		
J-810636	Kit, repair fuel and vacuum pump		1
	Consists of:		
J-117138	1 Bushing		
J-120093	1 Diaphragm and pull rod ass'y		
J-120098	1 Diaphragm and pull rod ass'y		
J-638737	2 Gasket, fuel pump to block		
J-115656	1 Gasket, fuel pump bowl		
J-116748	1 Gasket, valve cage		
J-118490	3 Gasket, valve cage		
J-116343	1 Link		
J-116344	1 Link, left		
J-116345	1 Link, right		
J-116329	1 Pin, rocker arm		
J-119242	2 Retainer, oil seal		
J-119241	2 Oil seal		
J-115654	1 Screen ass'y		
J-116347	2 Spacer		
J-116346	1 Spacer, link		
J-117908	1 Spring, diaphragm		
J-117160	1 Spring, diaphragm		
J-116332	1 Spring, rocker arm		
J-118486	6 Valve and cage ass'y		
J-116330	1 Washer		

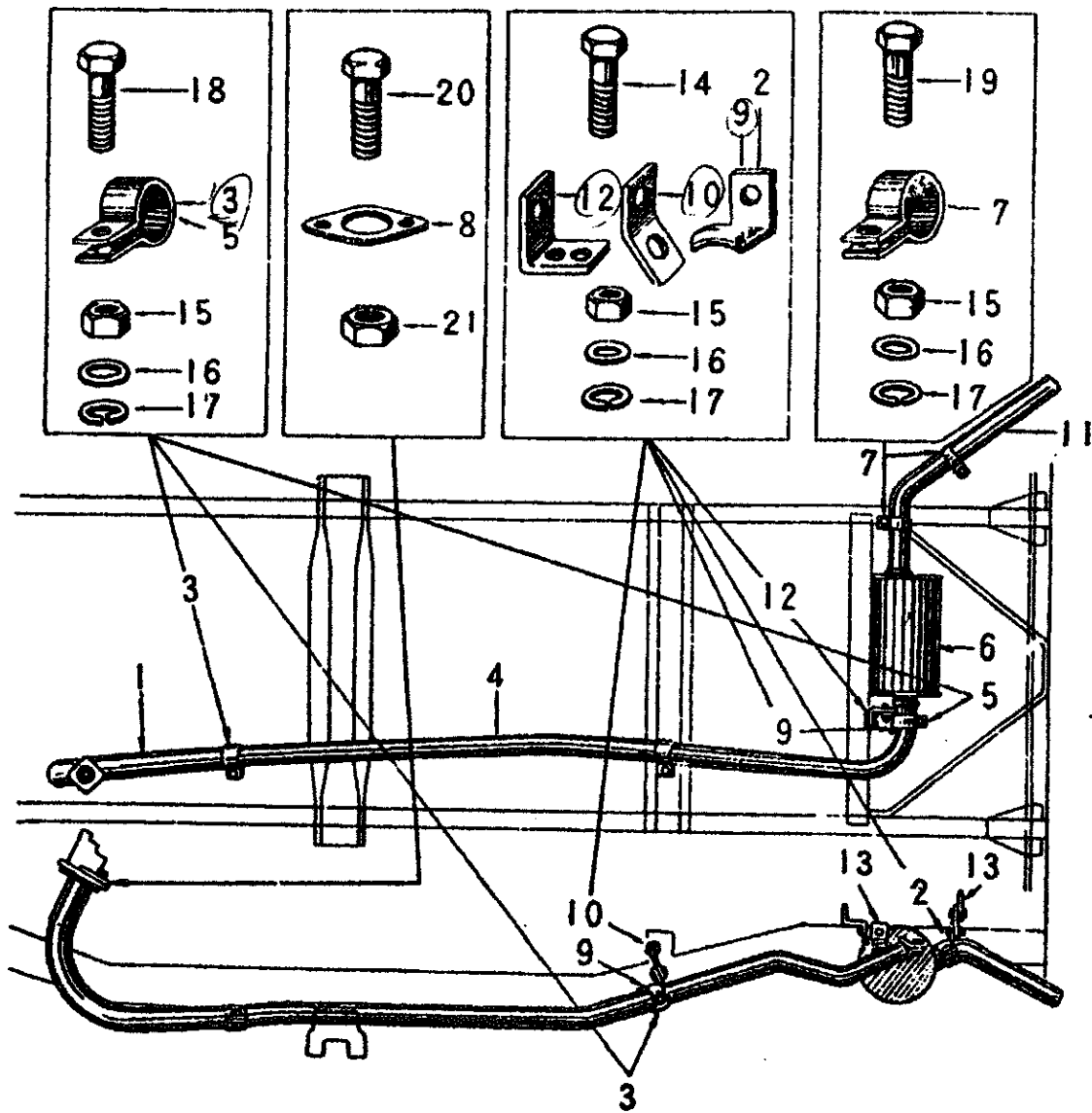
### FUEL SYSTEM



Key	Parts No.	Nomenclature	No. Req'd
<u>FUEL SYSTEM</u>			
1	J-806305-1	Carburetor ass'y	1
2	J-GM-137421	Elbow, tube	1
3	J-809367	<del>Tube, fuel line ass'y</del>	1
4	J-809338	Fuel and vacuum pump ass'y	1
5	<del>J-804240</del>	<del>Connection, fuel line</del>	1
6	JMD4019	Clip, fuel line	2
7	<del>JMD1481</del>	<del>Pipe, fuel line</del>	1
8	J-807134	Plug, pipe	1
9	J-GM-122017	Bolt, hex. hd.	1
10	JMD0058	Bracket, anchor	1
11	J-649759	Tank, fuel, ass'y	1
12	JMD0091	Gauge ass'y, fuel unit	1
13	JMD0106	Gasket, fuel unit	1
14	J-GM-121832	Screw, pan hd.	5
15	JMD0054	Band ass'y, holding fuel tank	1

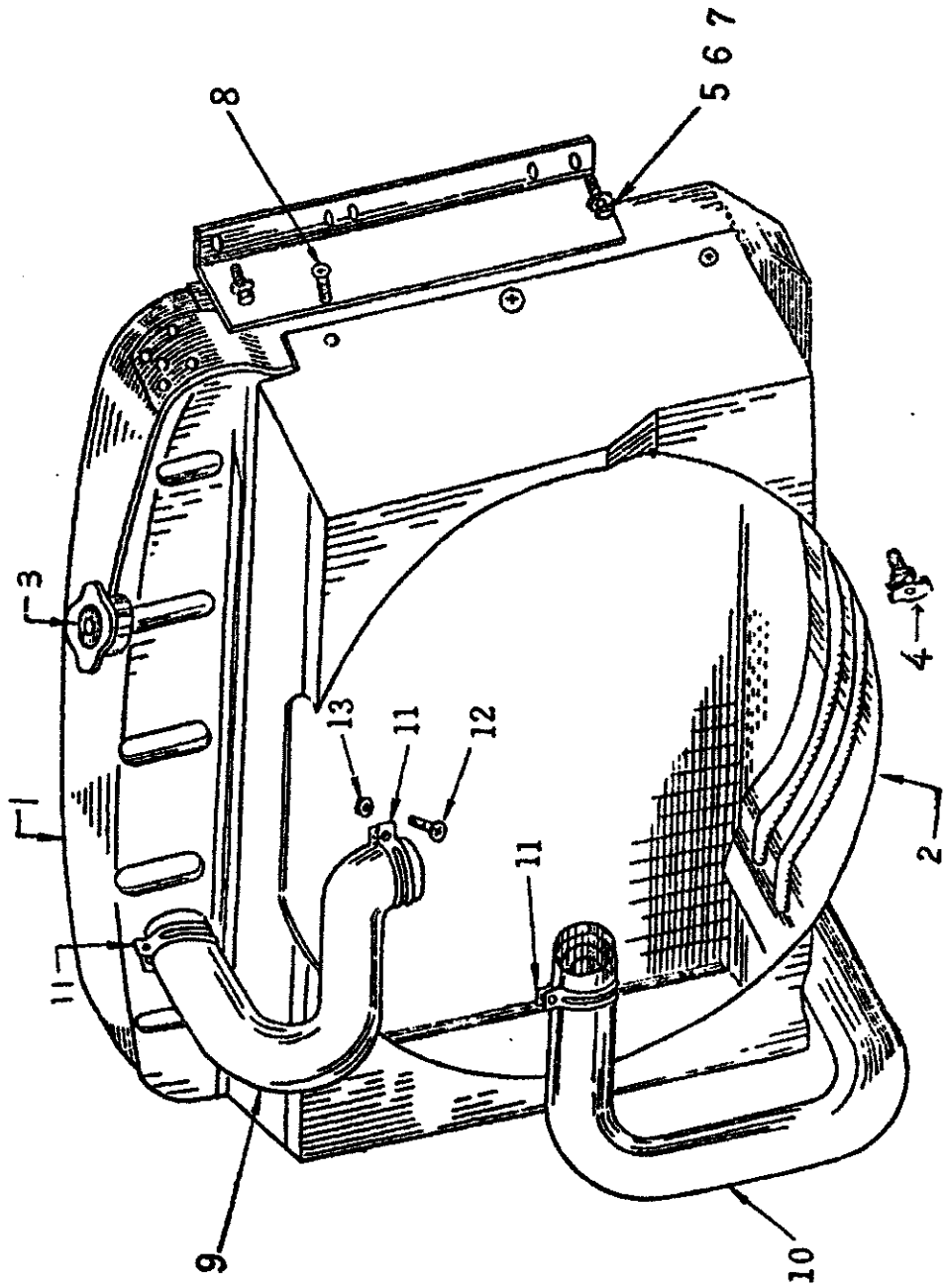


### EXHAUST SYSTEM



Key	Parts No.	Nomenclature	No. Req'd
<u>EXHAUST SYSTEM</u>			
		<i>MA 317256</i>	
e 1	J-641856	<del>Pipe, exhaust ass'y</del>	1
2	J-641873	Strap, tail pipe support	1
3	J-642123	Clamp, exhaust pipe support	2
4	J-641855	<del>Extension, exhaust pipe</del> <i>MA 317265 9252</i>	2
5	J-642469	Clamp, exhaust to muffler	1
6	JMD1002	Muffler ass'y <i>MA 317270 9538025</i>	1
7	J-630534	Clamp, support, tail pipe $\frac{1}{2}$	2
8	<del>J-634812</del> <i>218244</i>	Gasket, flange, exhaust pipe	1
9	J-803679	Strap, support, extension	2
10	JMD2455	Plate, support, exhaust pipe	1
11	JMD1280	<del>Pipe, tail</del> <i>MA 317280 9260</i>	1
12	J-641874	Bracket, support, muffler	1
13	J-642777	Strap, support, muffler	2
14	J-GM-120741	Bolt, hex. hd.	8
15	J-GM-120368	Nut, hex.	13
16	J-GM-120393	Washer, plain	13
17	J-GM-103320	Lockwasher	13
18	J-GM-123774	Bolt, hex. hd.	3
19	J-GM-123499	Bolt, hex. hd.	2
20	J-GM-120677	Bolt, hex. hd.	1
21	J-53287	Nut, hex.	2

RADIATOR AND RADIATOR HOSE



---

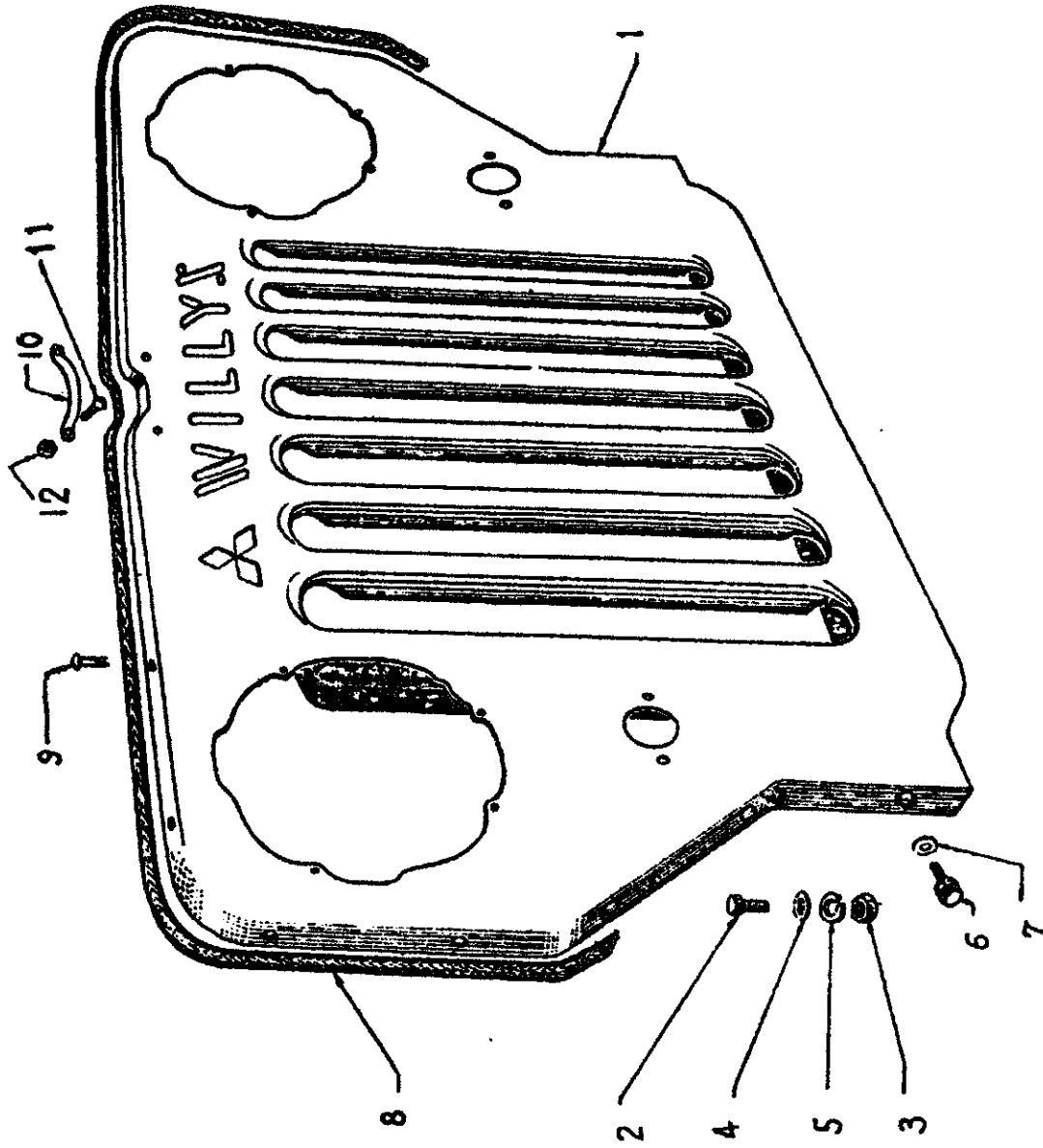
Key	Parts No.	Nomenclature	No. Req'd
-----	-----------	--------------	-----------

---

RADIATOR AND RADIATOR HOSE

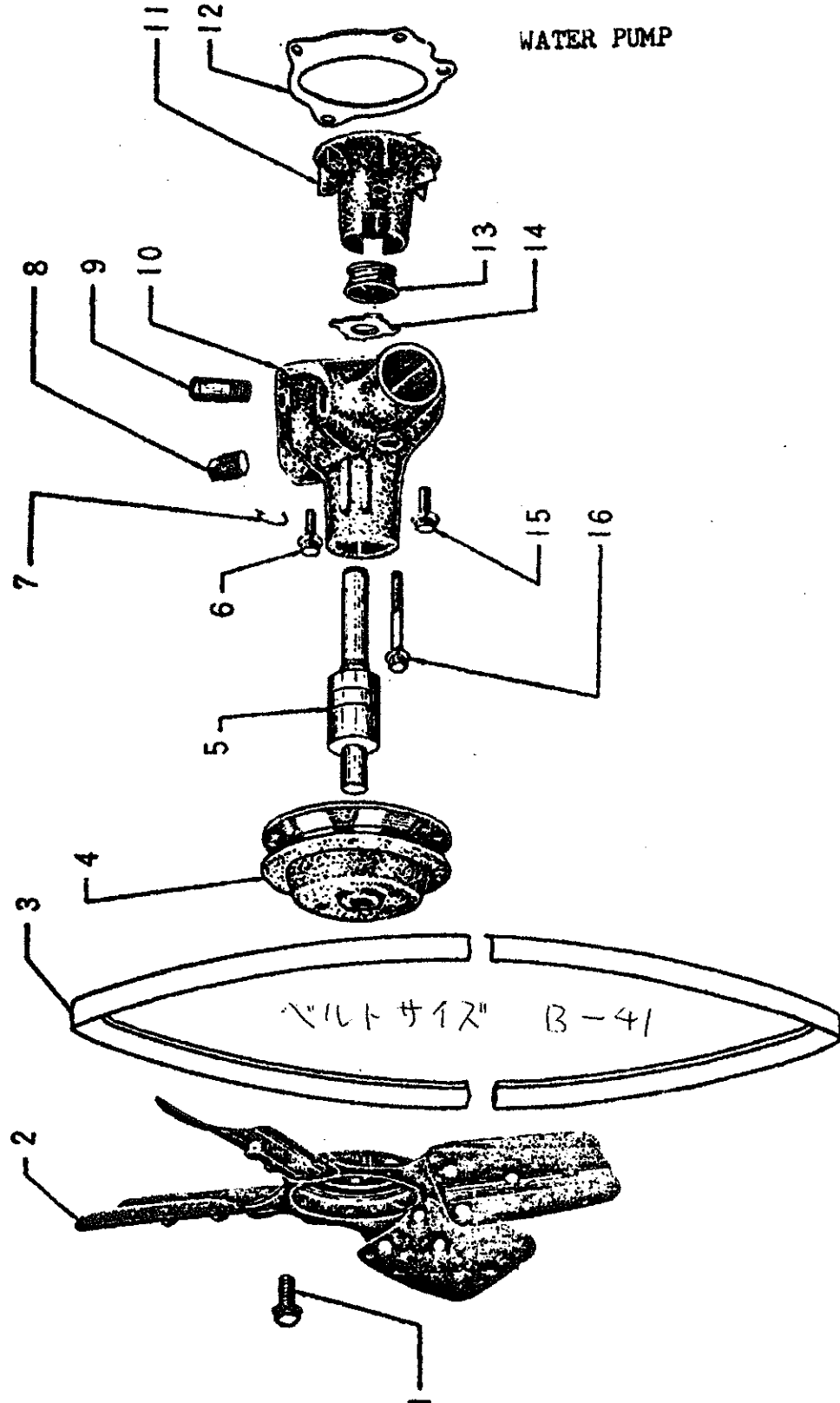
1	JM01156	Core and tank ass'y, radiator	1
2	JM01146	Shroud ass'y, radiator	1
3	JM01381	Cap, sealing, radiator	1
4	J-A-1126	Cock, drain	1
5	J-GM-123473	Bolt, hex. hd.	4
6	J-GM-120387	Washer, plain	4
7	J-GM-120214	Lockwasher	4
8	JM01171	Screw, pan hd.	6
9	J-800284	Hose, inlet, radiator water	1
10	J-807519	Hose, outlet, radiator water	1
11	JM01109	Clamp, hose radiator	4
12	JM01205	Screw, rd. hd.	4
13	JM01110	Nut, sq. hd.	4

RADIATOR GUARD



Key	Parts No.	Nomenclature	No. Req'd
<u>RADIATOR GUARD</u>			
1	J-681798	Guard ass'y, radiator	1
2	J-GM-120647	Bolt, hex. hd.	2
3	J-GM-120369	Nut, hex.	2
4	J-GM-120388	Washer, plain	2
5	J-GM-120382	Lockwasher	2
6	J-673488	Screw and lockwasher, ass'y	6
	J-GM-124043	Nut	6
7	J-GM-446363	Washer, plain	6
	J-683264	Deflector ass'y, air radiator guard	1
8	J-681191	Liner, hood, radiator guard	1
9	J-GM-113454	Rivet, oval. hd.	15
10	JM00621	Loop, footman	1
11	J-GM-155941	Screw	2
12	J-GM-120361	Nut, hex.	2
	J-GM-115707	Lockwasher	2
	J-681493	Strap, ass'y	1

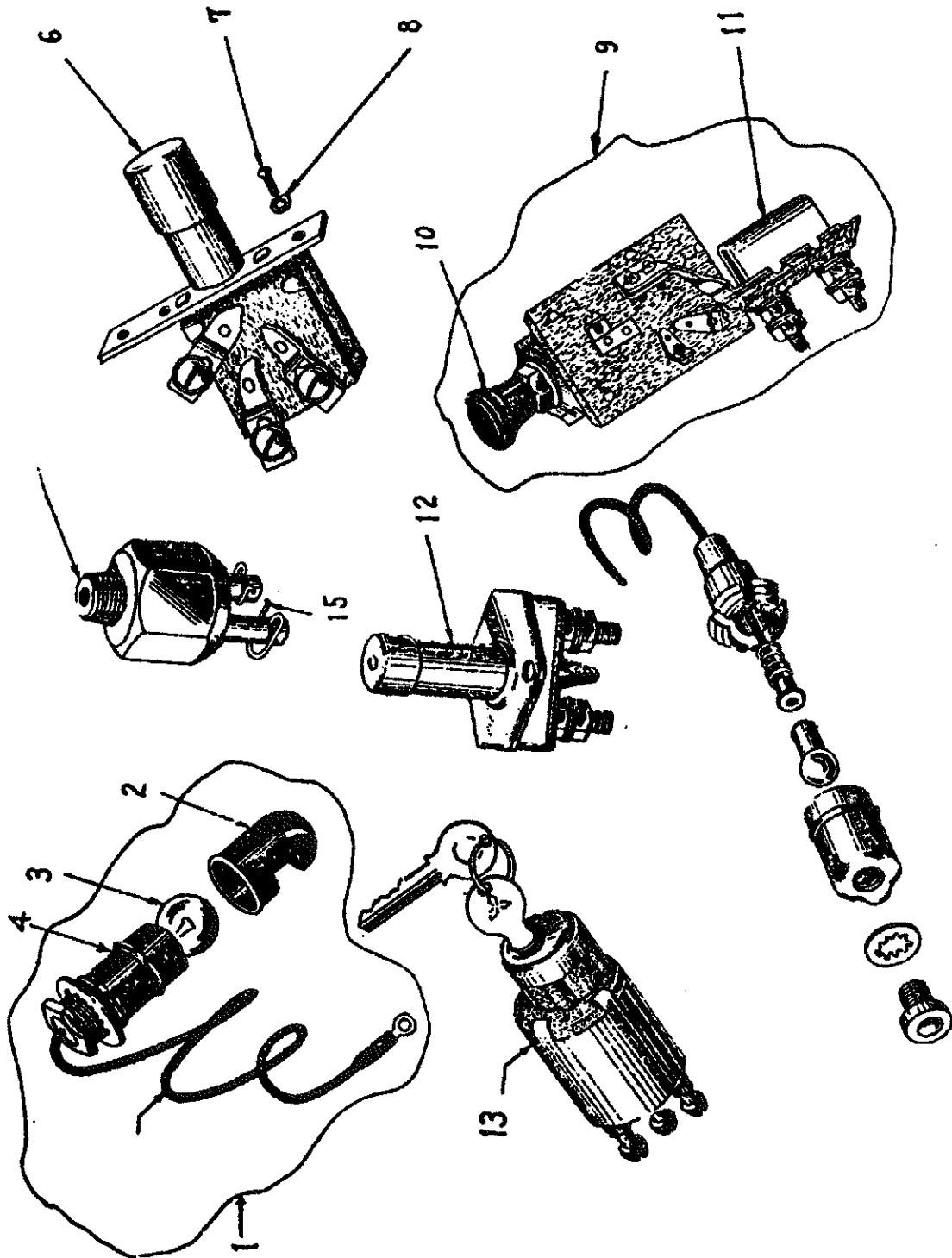
WATER PUMP



Key	Parts No.	Nomenclature	No. Req'd
		<u>WATER PUMP</u>	
1/4	JM62668-1		
1B	J-649717-1	Pump, water ass'y	1
1	J-GM-120854	Bolt, hex. hd.	4
	J-GM-120380	Lockwasher	4
2	J-802636	Fan ass'y	1
3	J-647630	Bolt, drive fan and generator	1
4	J-636299	Pulley, drive fan and water pump	1
5	J-808129	Bearing, shaft and slinger, water pump ass'y	1
6	J-GM-120229	Bolt, hex. hd.	2
	J-GM-120214	Lockwasher	2
7	J-636298	Spring, bearing retainer	1
8	J-GM-103879	Plug, pipe	1
9	J-649720	Nipple, hose by-pass	1
10	J-649718	Body, water pump	1
11	J-639993	Impeller, water pump	1
12	J-637053	Gasket, water pump to block	1
13	JM60091	Seal, water pump ass'y	1
14	J-640034	Washer, water pump seal	1
15	J-GM-122017	Bolt, hex. hd.	1
	J-GM-120214	Lockwasher	1
16	J-GM-122077	Bolt, hex. hd.	1
	J-GM-120214	Lockwasher	1
	J-A-6839	Kit, repair water pump	1
		Consists of:	
	J-808129	1 Bearing, shaft and slinger ass'y	
	J-637053	1 Gasket, water pump to block	
	JM60091	1 Seal, water pump ass'y	
	J-636298	1 Spring, bearing retainer	
	J-640034	1 Washer, water pump seal	



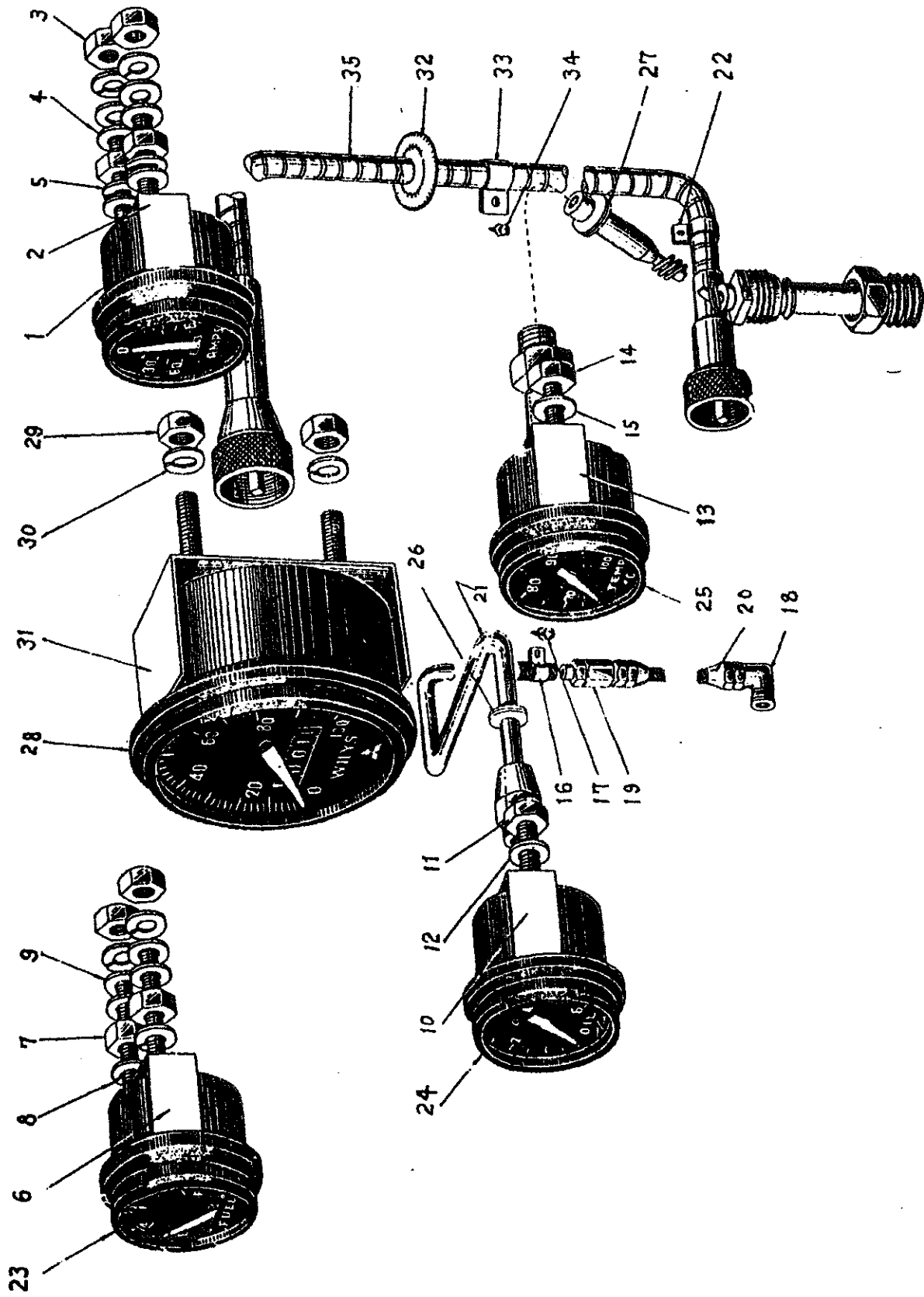
SWITCHES AND PANEL LIGHT



Key	Parts No.	Nomenclature	No. Req'd
<u>SWITCHES AND PANEL LIGHT</u>			
1	JM01745	Light, instrument panel ass'y	1
	JM00841	Nut, hex. (Light to instrument panel)	1
	J-GM-141707	Lockwasher	1
2	JM00837	Cap, instrument panel light	1
3	JM02336	Lamp, 6-8V, 3 C.P.	1
4	JM00834	Socket, instrument	1
5	JM00883	Wire, ass'y	1
6	JM00817	Switch, dimmer	1
7	J-GM-120628	Screw ) Dimmer switch to body	2
8	J-GM-121753	Washer	2
9	JM02504	Switch, lighting & circuit breaker ass'y	1
	JM01258	Switch, lighting, ass'y complete	1
10	<u>JM01268</u>	Knob, light switch, ass'y	1
11	JM01638	Circuit breaker	1
12	JM02236	Switch, starting ass'y	1
13	JM01603	Switch, ignition ass'y	1
14	JM00816	Switch, stop light ass'y	1
15	JM00816-1	Spring, lock stop light	2

Key	Parts No.	Nomenclature	No. Req'd
<u>INSTRUMENTS AND SPEEDOMETER</u>			
1	JM00954	Ammeter ass'y	1
2	JM02026	Bracket, mounting, ammeter	1
3	J-GM-112432	Nut, hex.	4
4	J-GM-446165	Washer	6
5	J-GM-131183	Lockwasher	4
6	JM02025	Bracket, mounting fuel gauge	1
7	J-GM-112432	Nut, hex.	4
8	J-GM-131183	Lockwasher	4
9	J-GM-446165	Washer	6
10	JM02029	Bracket mounting, oil pressure gauge	1
11	J-GM-120614	Nut, hex.	2
12	J-GM-131183	Lockwasher	2
13	JM02028	Bracket mounting, temperature gauge	1
14	J-GM-120614	Nut	2
16	J-GM-131183	Lockwasher	2
16	JM00303	Clip	1
17	J-680400-1	Screw and lockwasher	1
18	JM01189	Elbow	1
19	JM00914	Union	1
20	<del>JM00938</del>	<del>Hose flexible oil gauge piping</del>	1
21	JM00842	Tube, oil gauge to flexible hose	1
22	J-644106	Clip, speedometer cable to frame	1
23	JM01509	Gauge fuel ass'y complete	1
24	JM00790	Gauge, oil	1
25	JM00791	Gauge, temperature ass'y complete	1
26	JM01042	Glomet	1
27	JM01043	Glomet	1
28	JM00788	Speedometer ass'y, complete	1
29	J-GM-120614	Nut	2
30	J-GM-131183	Lockwasher	2
31	JM02027	Bracket, mounting	1
32	JM01042	Glomet	1
33	JM04019	Clip	1
34	J-680400	Screw and lockwasher	1
35	JM04474	Cable, speedometer ass'y	1
	JM02289	Inner cable, speedometer	1
	JM04475	Outer cable, speedometer	1

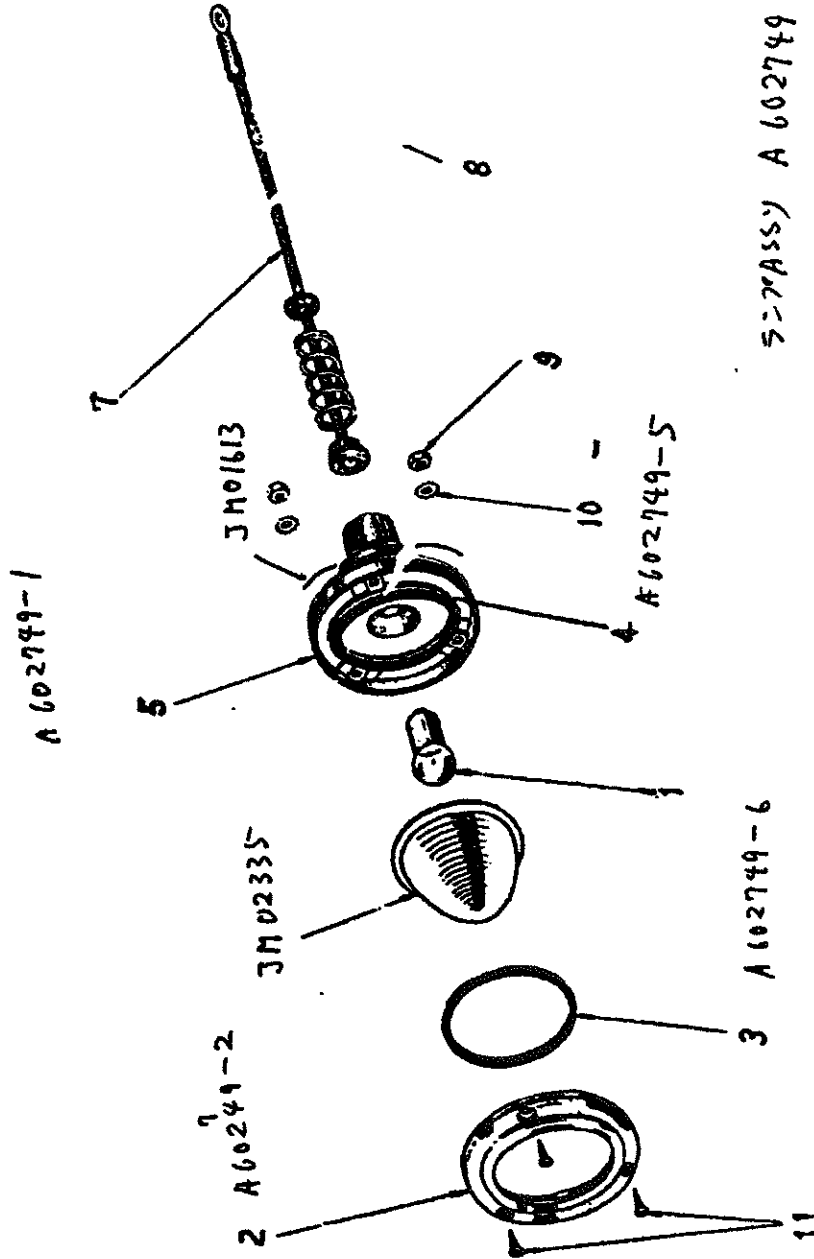
INSTRUMENTS AND SPEEDOMETER



Key	Parts No.	Nomenclature	No. Req'd
<u>PARKING LIGHT</u>			
	JM01597	Light, parking, left ass'y	1
	JM01598	Light, parking, right ass'y	1
1	JM02336	Lamp, 6-8V, 3 C.P. parking light	2
2	JM02334	Bezzel, parking light	2
3	JM02338	Gasket, parking light	2
4	JM02337	Gasket, parking light lens	2
5	JM02333	Body, parking light ass'y	2
6	JM02335	Lens, parking light	2
7	JM02339	Wire, left ass'y	1
8	JM02340	Wire, right ass'y	1
9	J-GM-120614	Nut	4
10	J-GM-138479	Lockwasher	4
11	JM02197	Screw	6

<u>HORN AND HORN BUTTON</u>			
1	JM01351	Horn ass'y	1
2	JM01351-41	Screw	2
3	JM01351-42	Lockwasher	2
4	JM01608	Bracket, horn	1
5	J-GM-121920	Bolt	2
6	J-GM-120380	Lockwasher	2
7	J-GM-120375	Nut, hex	2
8	J-GM-427752	Bolt	2
9	J-GM-120375	Nut	2
10	J-GM-120380	Lockwasher	2
11	J-GM-120386	Washer	2
	JM03254	Kit, double horn	1
	JM03257	Horn, ass'y (low)	1
	JM03258	Horn, ass'y (high)	1
	JM03259	Relay, ass'y	1
	JM03260	Bracket	1
12	J-804623	Cap, horn button	1
13	J-801428	Cable and terminal, horn ass'y	1
14	J-801427	Cap, contact horn button	1
15	J-638885	Cup, horn button spring	1
16	J-801425	Nut	1
17	J-638884	Spring	1

PARKING LIGHT





Key	Parts No.	Nomenclature	No. Req'd
-----	-----------	--------------	-----------

BATTERY SUPPORT AND CABLE

	JM01324	Bolt, battery clamp	2
	JM00719	Nut, wing	2
	J-GM-446363	Washer, plain	2
	J-GM-120214	Lock washer	2
	JM04359	Frame, battery holddown ass'y	1
	JM01624	Strage, battery (1 H)	1
	JM01606	Bolt, battery cable	2
	JM00725	Nut, battery cable	2
	JM01618	Cable positive, battery to starting switch ass'y	1
	JM01777	Cable starting switch to starting motor ass'y	1
	J-GM-178532	Lockwasher, 5/16 internal and external	2
	JM01622	Cable, battery to ground	1
	J-GM-120647	Bolt, hex	1
	J-GM-120369	Nut, hex	1
	J-GM-178551	Lockwasher	3
	JM60163	Strap, engine ground	1
	J-GM-120647	Bolt, hex	1
	J-GM-120369	Nut, hex	1
	J-GM-178551	Lockwasher	2
	J-GM-120382	Lockwasher	1
	JM05240	Seat, battery support	1

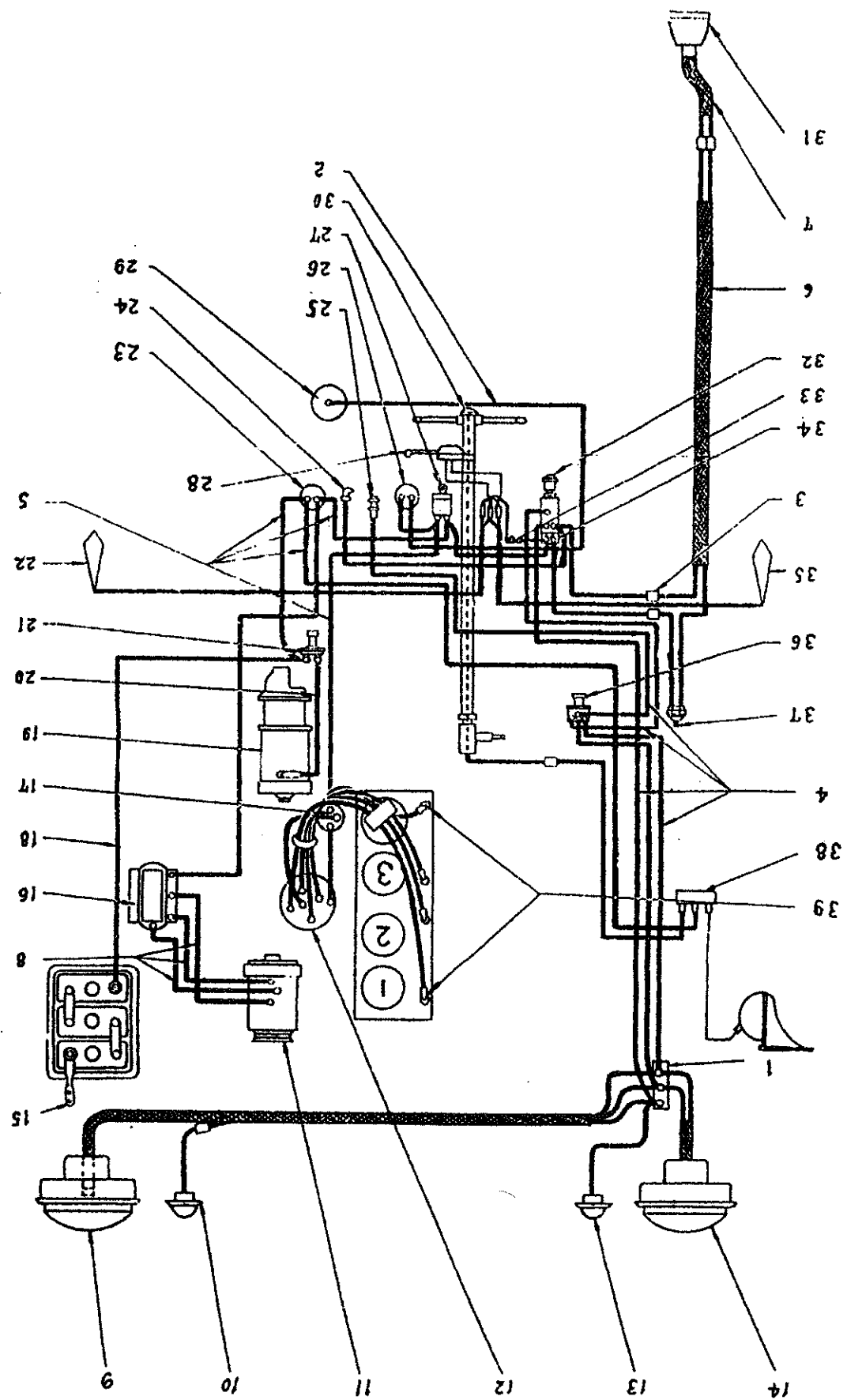
BODY AND CHASSIS WIRING DIAGRAM

1	JM00896	Block, junction (3 post) 635982	1
2	JM00899	Cable, fuel gauge	1
3	JM00854	Connector	5
4	JM01609	Harness, body wiring, left side	1
5	JM01612	Harness, body wiring, right side	1
6	JM01615	Harness, chassis wiring, long	1
7	JM01616	Harness, chassis wiring, left	1
8	JM01614	Harness, chassis	1
9	JM01595	Head light, right ass'y	1
10	JM01598	Light, parking, right ass'y	1
11	J-809655	Generator, ass'y	1



BODY AND CHASSIS WIRING DIAGRAM

1 - 60

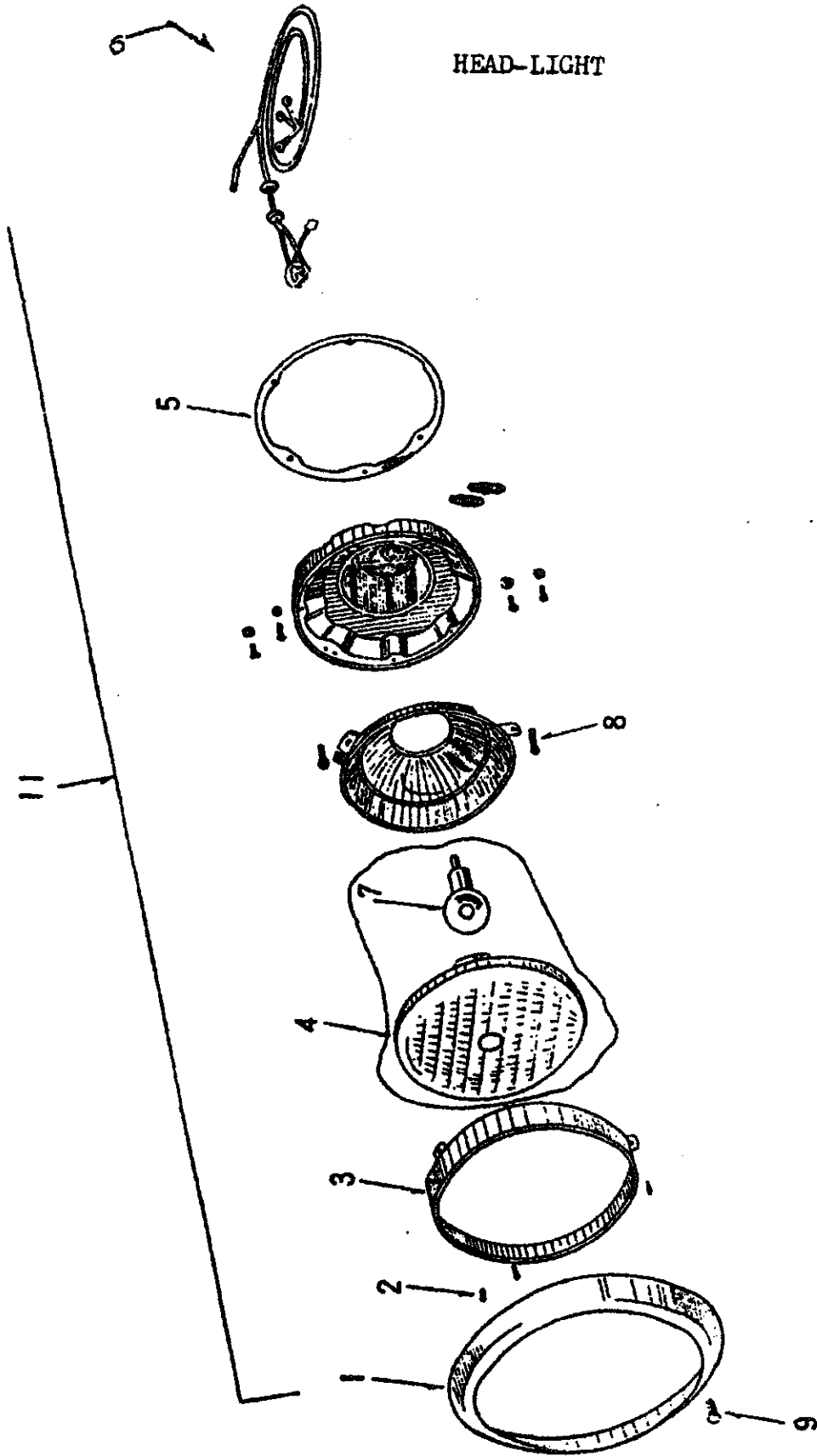


Key	Parts No.	Nomenclature	No. Req'd
-----	-----------	--------------	-----------

BODY CHASSIS WIRING DIAGRAM (continued)

12	J-808365-1	Distributor, ass'y	1
13	JM01597	Light, parking left ass'y	1
14	JM01594	Head light, left ass'y	1
15	JM01622	Cable, battery	1
16	JM60087	Regulator, ass'y	1
17	J-649712	Coil, ignition	1
18	JM01618	Cable	1
19	J-808399	Generator ass'y	1
20	JM01777	Cable, starting switch to starting motor	1
21	JM02236	Switch, starting ass'y	1
22	JM04516	Winker ass'y, right complete	1
23	JM00954	Ammeter ass'y	1
24	JM01745	Light, instrument panel, ass'y	1
25	JM02503	Light, head light tell-tale	1
26	JM01509	Gauge, fuel ass'y complete	1
27	JM01603	Switch, ignition ass'y	1
28	JM04375	Handle & harness winker	1
29	JM00091	Gauge, fuel ass'y	1
30	J-801428	Cable, and terminal, horn ass'y	1
31	JM01602	Light, tale and stop light ass'y	1
32	JM01258	Switch, lighting, ass'y complete	1
33	JM01289	Fuse and holder ass'y	1
34	JM01638	Circuit breaker, ass'y	1
35	JM04515	Winker ass'y, left complete	1
36	JM00817	Switch, head light foot dimmer ass'y	1
37	JM00816	Switch, stop light ass'y	1
38	JM03257	Horn, ass'y, 6V	1
39	J-808817	Kit, ignition spark plug cable	1
40	JM03254	Kit, double	1

HEAD-LIGHT



Key	Parts No.	Nomenclature	No. Req'd
<u>HEAD LIGHT</u>			
1	JM02458	Door, head light	2
2	J-GM-117114	Screw, rd. hd.	6
3	JM01786	Ring ass'y, head light unit retaining	2
4	JM01787	Light, unit, head light	2
5	JM00910	Gasket, head light	2
6	JM02330	Wire ass'y, head light, L.H.	1
	JM02331	Wire ass'y, head light, R.H.	1
7	JM02332	Lamp, head light	2
8	JM01794	Screw, adjusting	4
9	J-GM-134211	Screw, pan hd.	2
10	JM01795	Nut, adjusting	4
11	JM01594	Light ass'y, head L.H.	1
	JM01595	Light ass'y, head R.H.	1

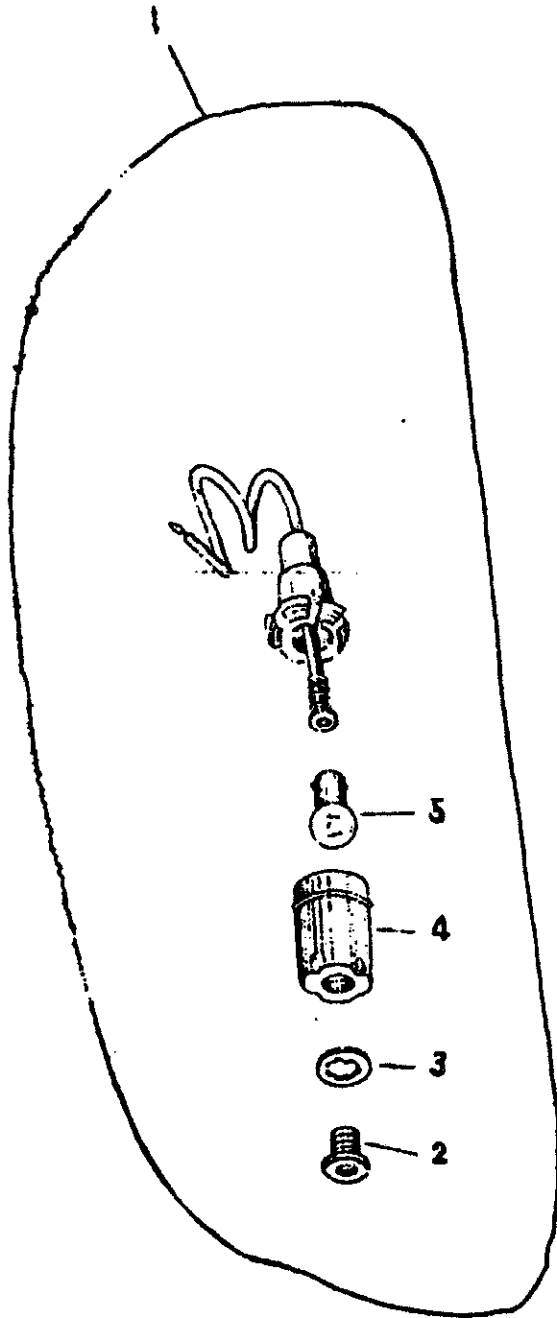
TELL-TALE LAMP

1	JM02503	Lamp ass'y, tell-tale	1
2	JM00865	Door, tell-tale	1
3	J-GM-138538	Lockwasher	1
4	JM00864	Housing, tell-tale	1
5	JM02481	Lamp, tell-tale	1

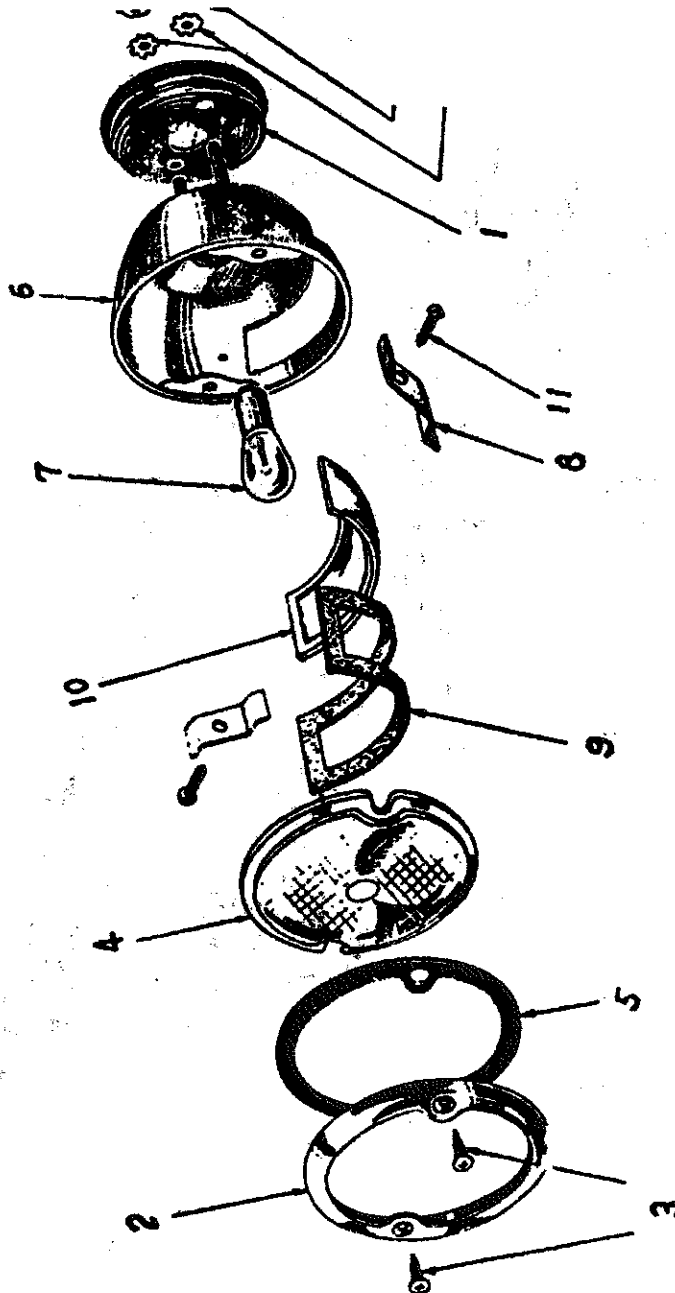
TAIL AND STOP LIGHT

	JM01602	Light, tail and stop light ass'y	1
1	J-669879	Bracket, tail and stop light	1
2	JM02341	Door, tail and stop light	1
3	JM02195	Screw, No.6 (Bezzel to housing)	2
4	JM02343	Door, glass	1
5	JM02342	Gasket, door glass	1
6	JM01629	Body, tail and stop, ass'y	1
7	JM01636	Lamp, 6-8V	1
8	JM01627	Plate, retainer license	2
9	JM01628	Gasket, license	1
10	JM01586	Lens	1
11	J-GM-115137	Screw	2

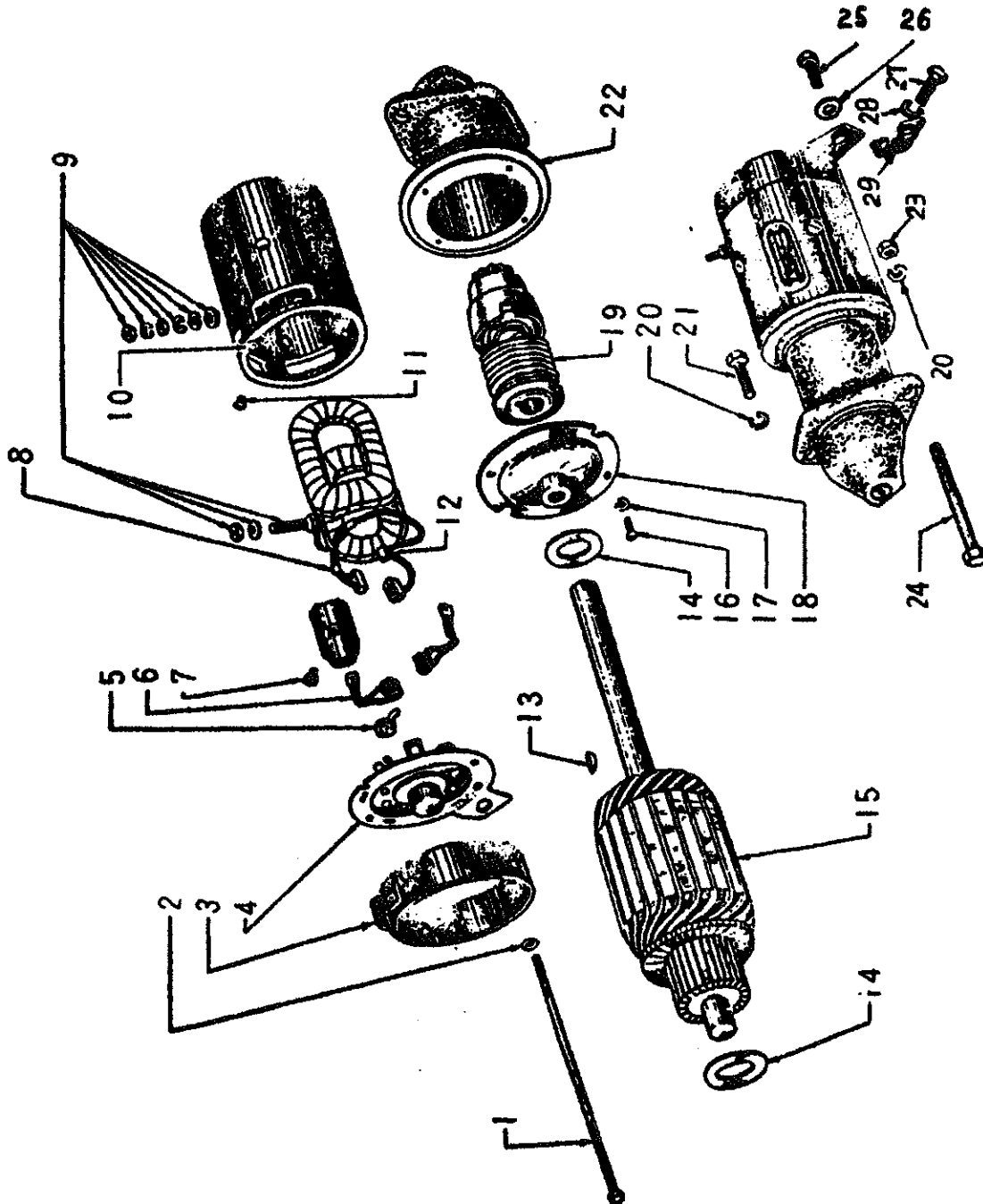
TELL-TALE LA



TAIL AND STOP LIGHT



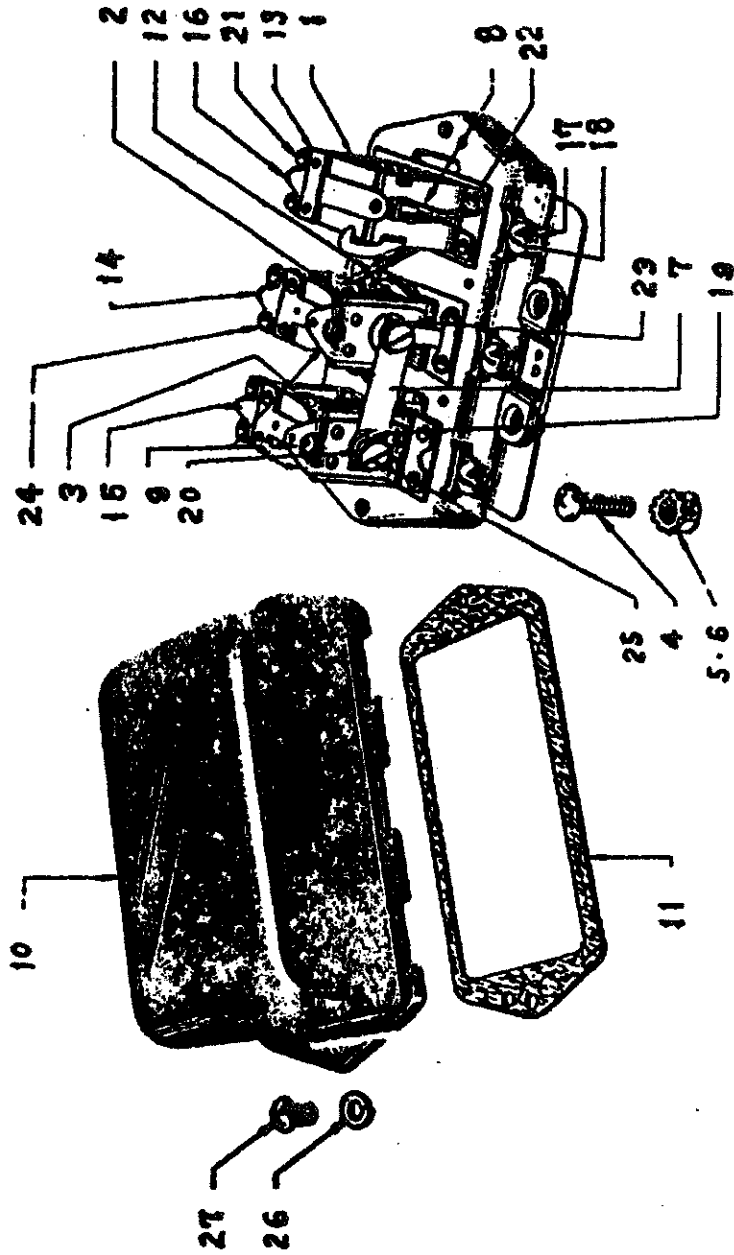
STARTING MOTOR



Key	Parts No.	Nomenclature	No. Req'd
<u>STARTING MOTOR</u>			
	J-808399	Starting motor ass'y	1
1	J-119831	Bolt, through	2
2	J-A-9041	Lockwasher, through bolt	2
3	J-119607	Band, cover	1
4	J-119604	Head, Commutator end ass'y	1
5	J-109445	Spring, brush	4
6	J-109431	Brush, starter	2
7	J-302349	Screw, pole shoe	4
8	J-119600	Package, field coil	1
9	JM61902	Terminal, starter ass'y	1
10	J-A-1609	Pin, dowel	2
11	J-A-1620	Screw, ground	2
12	J-119593	Equalizer	1
13	J-GM-106750	Key, bendix drive	1
14	J-117337	Washer, thrust	As req'd
15	J-119605	Armature ass'y	1
16	J-A-6297	Screw, internal bearing	2
17	J-A-1614	Lockwasher	2
18	J-119833	Bearing, bronze absorbent	1
19	J-119597	Drive, bendix	1
20	J-GM-120384	Lockwasher	2
21	J-GM-120426	Bolt, hex. hd.	1
22	J-119609	Housing, pinion	1
23	J-GM-120371	Nut, hex.	1
24	J-GM-124378	Bolt, hex. hd.	1
	J-119591	Brush, ground	2
25	J-GM-123350	Bolt	1
26	J-GM-446363	Washer, plain	1
27	J-GM-122119	Bolt	1
28	J-GM-120382	Lockwasher	1
29	J-805675	Support	1
	J-120201	Brush set, starting motor	1
		Consists of:	
	J-119591	2 Brush, ground	
	J-109431	2 Brush	



CIRCUIT BREAKER AND REGULATOR



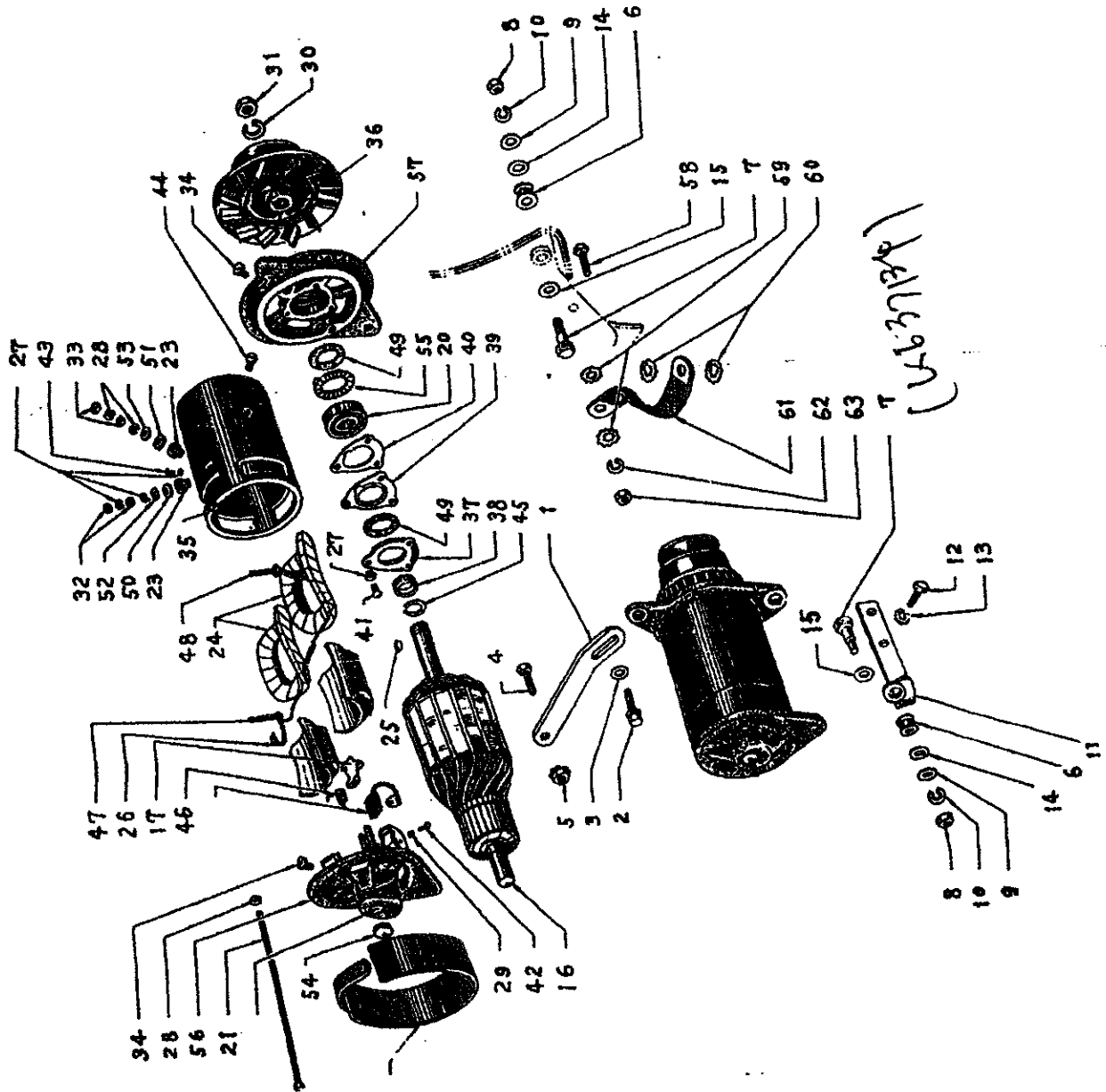
Key	Parts No.	Nomenclature	No. Req'd
-----	-----------	--------------	-----------

CIRCUIT BREAKER AND REGULATOR

	J-809654	Regulator, voltage and circuit breaker	
1	J-118364	Armature, circuit breaker	1
2	J-120156	Armature, current regulator	1
3	J-120539	Armature, voltage regulator	1
4	J-GM-160536	Screw	1
5	J-GM-120375	Nut	1
6	J-GM-121753	Washer, lock	1
7	J-118367	Connector	1
8	J-118379	Contact, stationary circuit breaker	1
9	J-118369	Contact, stationary current and voltage regulator	1
10	J-118370	Cover, regulator	2
11	J-118371	Gasket, cover	1
12	J-118366	Insulation, stationary contact	1
13	J-118365	Plate	1
14	JM62050	Spring, armature current	1
15	JM62051	Spring, armature, voltage	1
16	JM62052	Spring, circuit breaker armature	1
17	J-A-1614	Washer, lock,	1
18	J-118381	Screw	1
19	J-118386	Washer, stationary contact, plain	1
20	J-118384	Washer, stationary contact	1
21	J-118387	Screw	1
22	J-118382	Screw	1
23	J-118368	Washer	1
24	J-118374	Washer	1
25	J-118383	Screw	1
26	J-A-1614	Lockwasher	1
27	J-118381	Screw	1

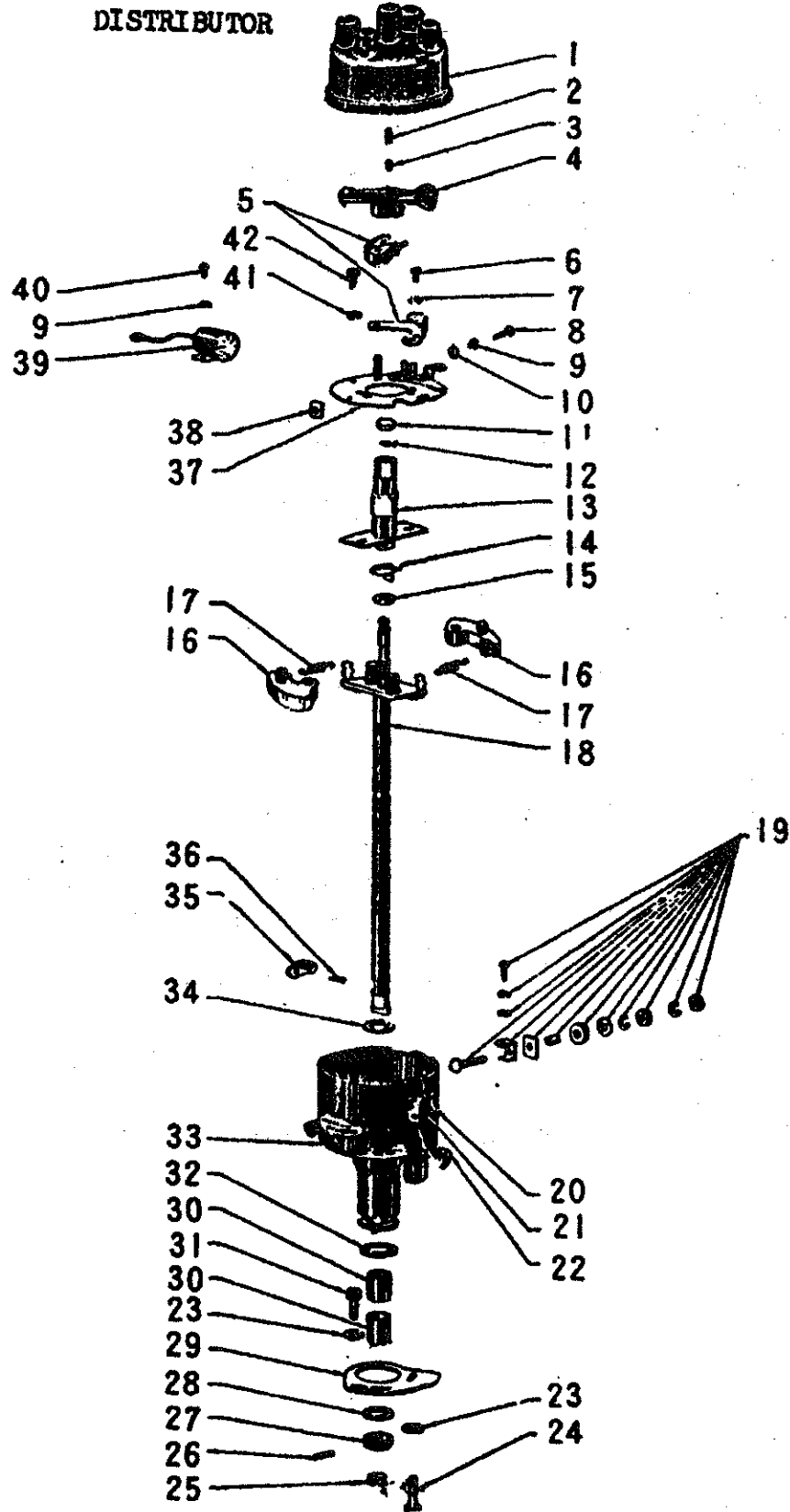
Key	Parts No.	Nomenclature	No. Req'd
<u>GENERATOR</u>			
	J-809655	Generator ass'y	1
1	J-649927	Brace, generator	1
2	J-GM-120229	Bolt, hex	1
	J-GM-120214	Lock washer	1
3	J-GM-446363	Washer	1
4	J-GM-120647	Bolt	1
5	J-GM-120369	Nut	1
	J-GM-138489	Washer	1
6	J-A-1395	Insulator	1
(K627134) 7	J-A-1397	Bolt	2
8	J-GM-120368	Nut	2
9	J-GM-120393	Washer	2
10	J-GM-120214	Lock washer	2
11	J-640153	Support, generator ass'y	1
12	J-633949	Bolt	2
13	J-GM-120382	Lock washer	2
14	J-A-1401	Washer	2
15	J-A-1396	Washer	2
16	J-120154	Armature, ass'y	1
17	J-A-5241	Arm, brush	2
18	J-118441	Band, cover	2
19	J-118429	Bearing, commutator end	1
20	J-GM-901203	Bearing, drive end	1
21	J-118423	Bolt	2
22	J-120250	Brush set	1
23	J-118410	Bushing, insulating terminal stud	2
24	J-118411	Coil, field ass'y	1
25	J-A-1641	Key, drive pulley	1
26	J-118414	Lead, field coil ass'y	1
27	J-A-1614	Lock washer (Armature terminal - 2, Ground screw - 1, Retainer screw - 3)	6
28	J-A-9041	Lockwasher (Field terminal - 2, through bolt - 2)	4
29	J-A-10294	Lock washer	2
30	J-118433	Lock washer	1
31	J-120153	Nut	1
32	J-118422	Nut	2
33	J-A-1617	Nut	2

GENERATOR



Key	Parts No.	Nomenclature	No. Req'd
<u>GENERATOR</u> (continued)			
34	J-302347	Oiler	2
35	J-A-1609	Pin	2
36	J-118432	Pulley, drive	1
37	J-118437	Retainer, drive end bearing	1
38	J-109171	Retainer, felt washer	1
39	J-118436	Retainer, felt washer inner	1
40	J-118438	Retainer, felt washer outer	1
41	J-118440	Screw	3
42	J-A-1632	Screw	2
43	J-A-1620	Screw	1
44	J-302349	Screw	2
45	J-A-5246	Snap	1
46	J-118430	Spring	2
47	J-118413	Stud	1
48	J-118412	Stud	1
49	J-105312	Washer	2
50	J-118407	Washer	1
51	J-118408	Washer	1
52	J-118358	Washer	1
53	J-118409	Washer	1
54	J-118425	Cover, commutator end	1
55	J-118435	Gasket, bearing retainer	1
56	J-120023	Head, commutator end ass'y	1
57	J-118439	Head, drive end	1
	J-118434	Head, drive end	1
	J-118419	Coil, field, left	1
	J-118420	Coil, field, right	1
	J-118498	Terminal, field coil lead	1
	J-118427	Wick, felt	1
58	J-GM-120647	Bolt	1
59	J-GM-178551	Lock washer	2
60	J-GM-178532	Lock washer	2
61	JM60163	Strap	1
62	J-GM-120382	Lock washer	1
63	J-GM-120369	Nut, hex	1

Key	Parts No.	Nomenclature	No. Req'd
<u>DISTRIBUTOR</u>			
	J-808365-1	Distributor ass'y	1
1	JM60443	Cap, distributor	1
2	J-117453	Spring, contact plunger	1
3	J-A-1656	Contact, plunger	1
4	J-A-1658	Rotor, distributor	1
5	J-A-1687	Contact set	1
6	J-GM-131954	Screw, locking	1
7	J-A-10294	Lockwasher, spring	1
8	J-A-1633	Screw, clip breaker arm spring	1
9	J-A-1613	Lockwasher, spring	2
10	J-A-1667	Washer, plain	1
11	J-A-1671	Wick, felt	1
12	J-A-1653	Snap ring, cam retaining	1
13	J-A-9308	Cam and stop plate	1
14	J-A-1684	Spring, antirattle	1
15	J-A-1672	Spacer, cam	1
16	J-A-9314	Weight, governor	2
17	J-120232	Spring set, governor weight	1
18	J-A-9312	Shaft, drive	1
19	JM61903	Terminal, distributor ass'y	1
20	J-120227	Bracket, cap spring	2
21	J-120229	Spring, clamp cap	2
22	J-117462	Oiler, press in	1
23	J-GM-120392	Washer, plain	2
24	J-GM-120854	Bolt, hex. hd.	1
	J-GM-120380	Lockwasher, spring	1
25	J-637615	Spring, friction	1
26	J-A-1685	Rivet, collar	1
27	J-A-1659	Collar, drive shaft	1
28	J-106740	Washer, thrust drive shaft lower	1
29	JM62061	Arm, advance	1
30	J-A-1681	Bearing, absorbent	2
31	J-GM-121867	Bolt, hex. hd.	1
	J-GM-120380	Lockwasher, spring	1
32	J-119842	Seal, O ring distributor	1
33	JM62060	Base, distributor	1
34	J-A-1673	Washer, thrust drive shaft upper	1
35	J-120226	Bracket, mounting breaker plate	2



Key	Parts No.	Nomenclature	No. Req'd
-----	-----------	--------------	-----------

DISTRIBUTOR (continued)

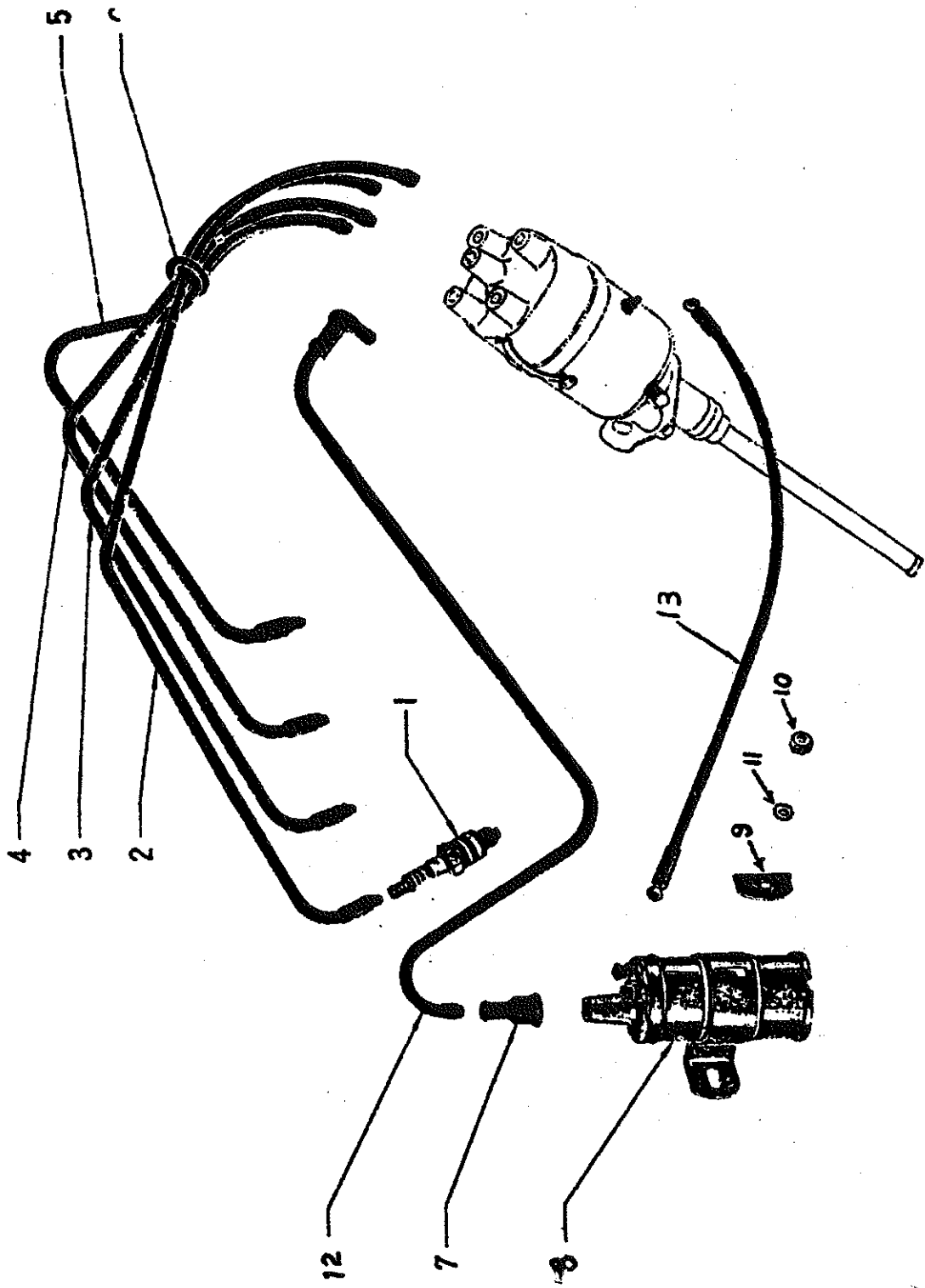
36	J-120231	Rivet	4
37	J-A-9309	Plate, breaker	1
38	J-A-1663	Clip, breaker arm spring	1
39	J-A-1631	Condenser	1
40	J-GM-131880	Screw	1
41	J-A-1614	Lockwasher, spring	2
42	J-GM-132100	Screw	2

SPARK PLUG AND WIRING

1	JM60878	Plug and gasket, spark	4
2	J-808082	Cable ass'y, spark plug No.1	1
3	J-802878	Cable ass'y, spark plug No.2	1
4	J-808083	Cable ass'y, spark plug No.3	1
5	J-808084	Cable ass'y, spark plug No.4	1
6	J-803948	Ring, spark plug cable	1
7	J-393594-1	Tip, spark plug cable	5
8	J-649712	Coil, ignition	1
9	J-631105	Washer, coil bracket	2
10	J-GM-120367	Nut, hex.	2
11	J-GM-121753	Washer, external tooth	2
12	J-A-5083	Cable ass'y, ignition coil (primary)	1
13	J-642133	Cable ass'y, ignition coil (secondary)	1
	J-808817	Kit, ignition spark plug cable	1
		Consist of:	
	J-642133	1 Cable, secondary ignition coil ass'y	
	J-808082	1 Cable ass'y, spark plug No.1	
	J-802878	1 Cable ass'y, spark plug No.2	
	J-808083	1 Cable ass'y, spark plug No.3	
	J-808084	1 Cable ass'y, spark plug No.4	

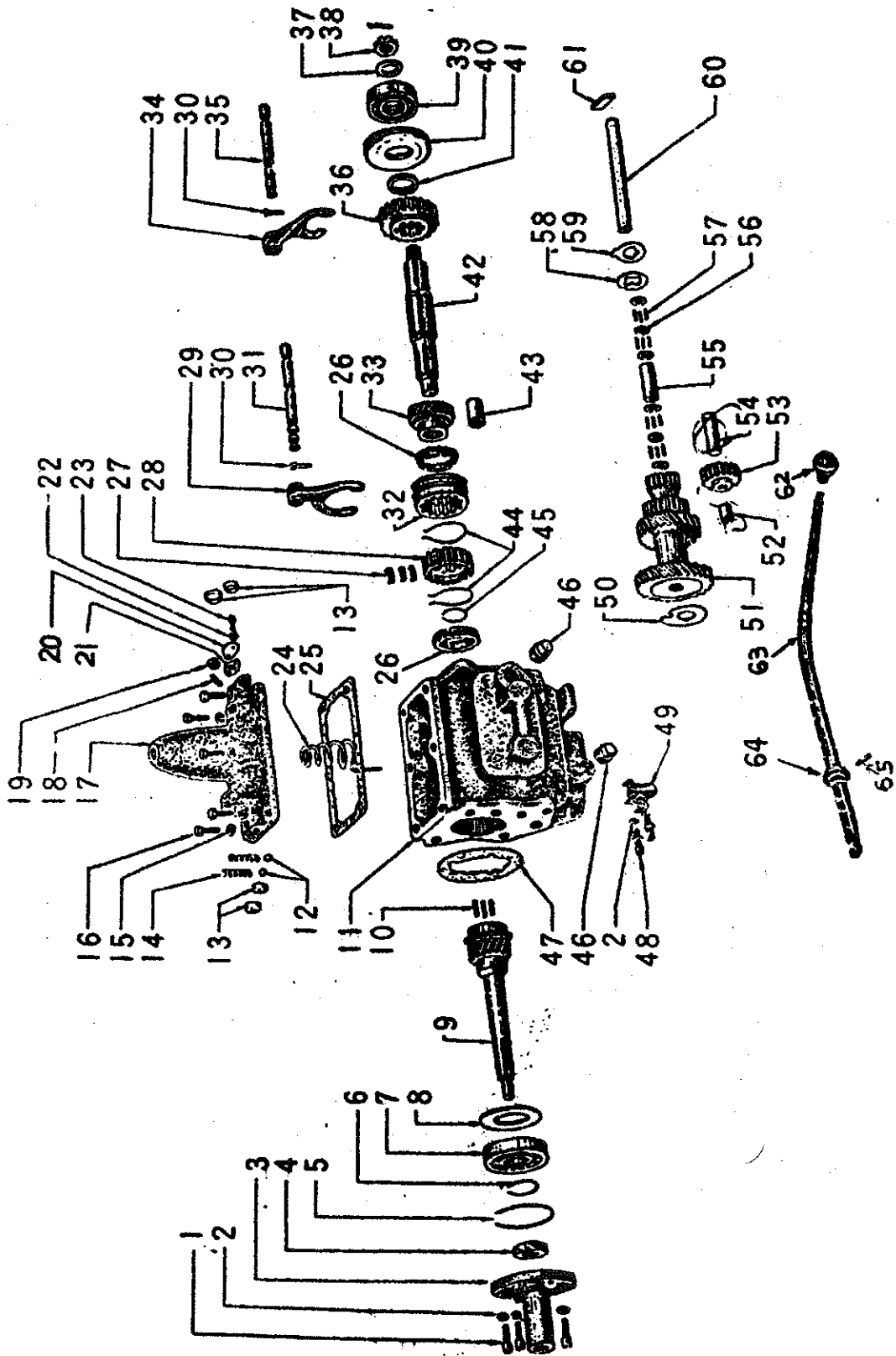


SPARK PLUG AND WIRING



Key	Parts No.	Nomenclature	No. Req'd
<u>TRANSMISSION</u>			
	J-644315-1	Transmission ass'y	1
1	J-53811	Bolt, bearing	3
2	J-51875	Gasket	3
3	J-640422-1	Retainer, main drive gear bearing	1
4	J-645980	Oil seal, bearing retainer	1
5	J-640782	Snap ring, bearing	1
6	J-640783	Snap ring, main drive gear	1
7	J-643721	Bearing, main drive gear	1
8	J-640893	Washer, oil retaining front	1
9	J-640428	Gear, main drive	1
10	J-640786	Roller, needle bearing main shaft	14
11	J-642754	Case, transmission	1
12	J-GM-147500	Ball, poppet	2
13	J-642757	Cap, shift rail	4
14	J-642769	Spring, poppet	2
15	J-52045	Lockwasher, control housing	6
16	J-635868	Bolt, control housing	6
17	J-642755-1	Housing, control	1
18	J-642758	Plunger, interlock	1
19	J-642759	Plug, taper	1
20	JM60440-1	Cover	1
21	JM60441	Packing	1
22	KS300-4	Lockwasher	2
23	JM60442	Screw	2
24	J-642763	Spring, control lever	1
25	J-642770	Gasket, control housing	1
26	J-640397	Ring, blocking synchronizer	2
27	J-640395	Plate, shifting synchronizer	3
28	J-640393	Hub, clutch	1
29	-642766	Fork, shift high and intermediate	1
30	J-642768	Pin, shift fork	2
31	J-642764	Rail, shift high and intermediate	1
32	J-640396	Sleeve, clutch	1
33	J-640398	Gear, second speed	1
34	J-642767	Fork, shift low and reverse	1
35	J-642765	Rail, shift low and reverse	1
36	J-640401	Gear, sliding	1
37	J-A-1410	Washer, main shaft	1

# TRANSMISSION



Key	Parts No.	Nomenclature	No. Req'd
<u>TRANSMISSION (continued)</u>			
38	J-A-520	Nut, main shaft	1
39	JM60218	Bearing, main shaft rear	1
40	J-644552	Adapter, main shaft bearing	1
41	J-643621	Spacer, main shaft bearing	1
42	J-640390	Shaft, main	1
43	J-640400	Bushing, second speed gear	1
44	J-640394	Spring, synchronizer	2
45	J-640431	Snap ring, clutch hub	1
46	J-GM-103880	Plug, filler	2
47	J-640425	Gasket, bearing retainer	1
48	J-640416	Screw, oil collector	2
49	J-640413	Collector, oil	1
50	J-640409	Washer, thrust countershaft front	1
51	J-640405	Gear, countershaft	1
52	J-640419	Bushing, reverse idler gear	1
53	J-640417	Gear, reverse idler	1
54	J-640420	Shaft, reverse idler gear	1
55	J-802414	Spacer, countershaft bearing long	1
56	J-640778	Spacer, countershaft bearing short	6
57	J-640777	Roller, needle bearing countershaft	88
58	J-640410	Washer, thrust countershaft rear	1
59	J-640411	Washer, thrust countershaft rear	1
	J-640774	Washer, thrust countershaft rear	1
60	J-640412	Countershaft	1
61	J-644316	Plate, lock idler and countershaft	1
62	J-644233	Ball, gear shift lever	1
63	J-648593-1	Lever, control	1
64	J-642761	Ball fulcrum control lever	1
65	J-642762	Pin, fulcrum control lever	1
	J-640391	Synchronizer unit and blocking ring	1
	J-640392	Synchronizer unit	1
	JM-60339	Packing, control lever	1
	J-117959	Gasket and oil seal set, transmission	1
		Consists of:	
	J-51875	5 Gasket	
	J-642770	1 Gasket, control housing	
	J-640425	1 Gasket bearing retainer	
	J-644122	1 Gasket, transmission to transference	
	J-645980	1 Oil seal, main drive gear	

Key	Parts No.	Nomenclature	No. Req'd
<u>TRANSMISSION</u> (continued)			
	J-805693	Kit, repair transmission	1
		Consists of:	
	<del>J-640425</del>	1 Gasket, bearing retainer	
	J-642770	1 Gasket, control housing	
	J-644122	1 Gasket, transmission to trans- fercase	
	J-644316	1 Plate, lock idler and counter shaft	
	J-640395	3 Plate, shifting synchronizer	
	J-645980	1 Oil seal, main drive gear	
	J-640431	1 Snap ring, clutch hub	
	J-640783	1 Snap ring, main drive gear	
	J-640786	14 Roller, needle bearing main shaft	
	J-640394	2 Spring, synchronizer	
	J-640778	6 Spacer, countershaft bearing short	
	J-640893	1 Washer, oil retaining front	
	J-640409	1 Washer, thrust countershaft front	
	J-640410	1 Washer, thrust countershaft rear	
	<del>J-640411</del>	1 Washer, thrust countershaft rear	
	J-804004-1	Kit control housing	1
		Consists of:	
	J-GM-147500	2 Ball, poppet	
	J-642761	1 Ball, fulcrum control lever	
	J-642757	2 Cap, shift rail	
	JM60440-1	1 Cover	
	J-642766	1 Fork, shift high and intermediate	
	J-642767	1 Fork, shift low and reverse	
	J-642755-1	1 Housing, control	
	KS300-4	2 Lockwasher, spring	
	J-648593-1	1 Lever, control	
	JM60441	1 Packing	
	J-642762	1 Pin, fulcrum control lever	
	J-643700	1 Pin, guide control housing	
	J-642768	2 Pin, shift fork	
	J-642759	1 Plug, taper	
	J-642758	1 Plunger, interlock	
	JM60442	2 Screw	
	J-642769	2 Spring, poppet shift rail	

Key	Parts No.	Nomenclature	No. Req'd
-----	-----------	--------------	-----------

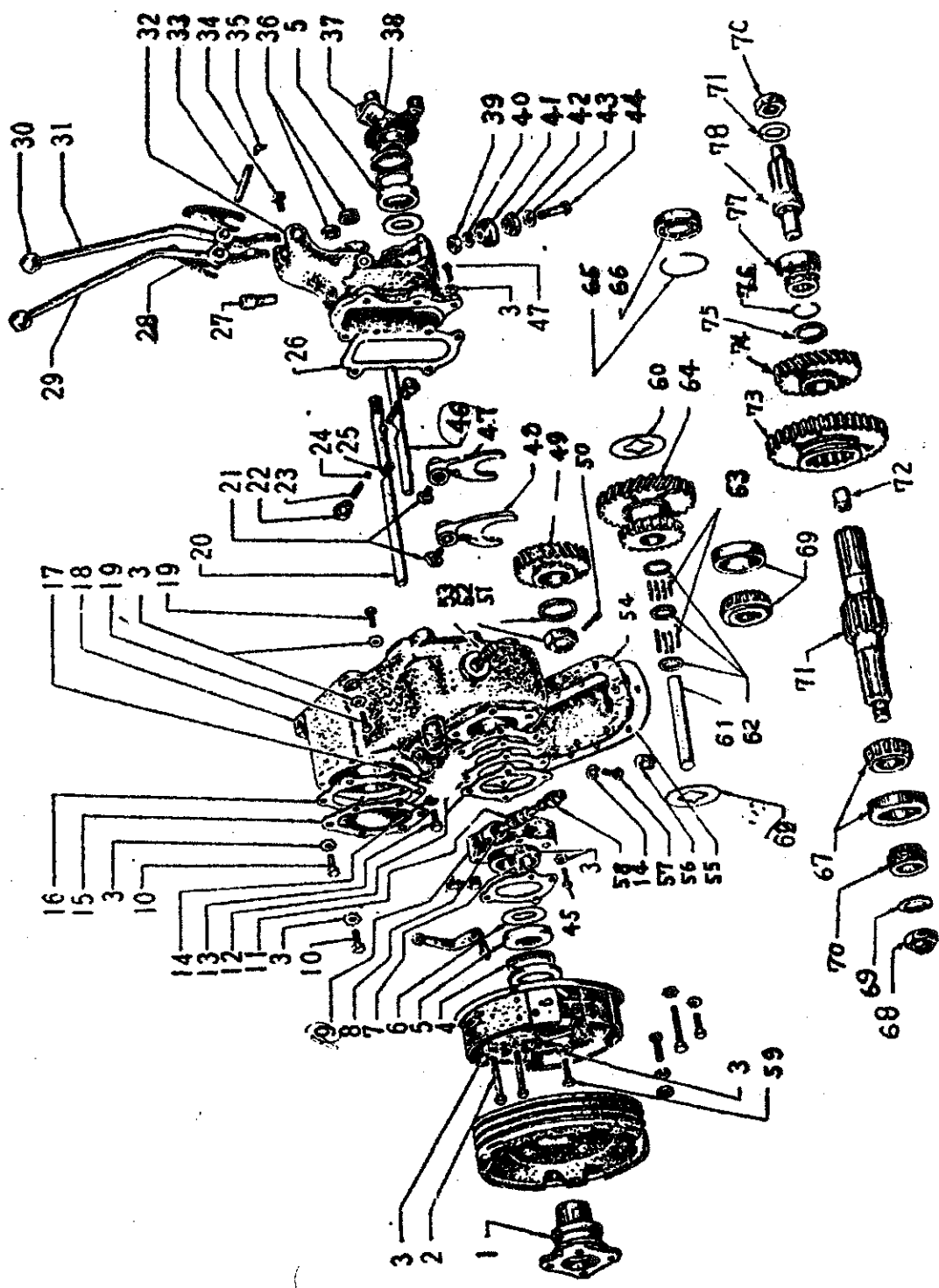
TRANSMISSION (continued)

	J-642764	1 Rail, shift high and intermediate	
	J-642765	1 Rail, shift low and reverse	
	J-642763	1 Spring, support control lever	
	JM60339	1 Packing	

TRANSFER CASE

	J-809287	Case, transfer ass'y	1
1	J-116714	Flange, companion	1
2	J-GM-179849	Bolt, hex. hd.	2
3	J-649704	Lockwasher, external tooth	20
4	J-811687	Seal, felt output shaft	2
5	J-A-958-1	Oil seal, bearing cap	1
6	J-A-1134	Gasket, oil seal	2
7	J-GM-179848	Bolt, hex. hd.	1
8	J-A-985	Bushing, speedometer drive gear	1
9	J-A-9330	Cap, output shaft rear bearing	1
10	J-A-523	Bolt, hex. hd.	5
11	J-A-5707	Gear, speedometer drive	1
12	J-A-6753	Shim set, rear cap	1
13	J-GM-120228	Bolt, hex. hd.	1
14	J-GM-103320	Lockwasher, spring	11
15	J-A-1508	Cover, rear	1
16	J-A-1509	Gasket, rear cover	1
17	J-A-1001	Plate, lock intermediate shaft	1
18	J-809289	Case, transfer	1
19	J-GM-122138	Bolt, hex. hd.	5
20	J-A-1504	Rod, shift underdrive and direct	1
21	J-A-963	Screw, set shift fork	2
22	J-A-967	Plug, poppet	2
23	J-A-966	Spring, poppet	2
24	J-GM-147500	Ball, poppet	2
25	J-A-965	Interlock, shift rod	1
26	J-A-957	Gasket, bearing cap	1
27	J-A-934	Breather	1
28	J-801332	Spring, shift lever	2
29	J-801330	Lever, shift underdrive	1

### TRANSFER CASE

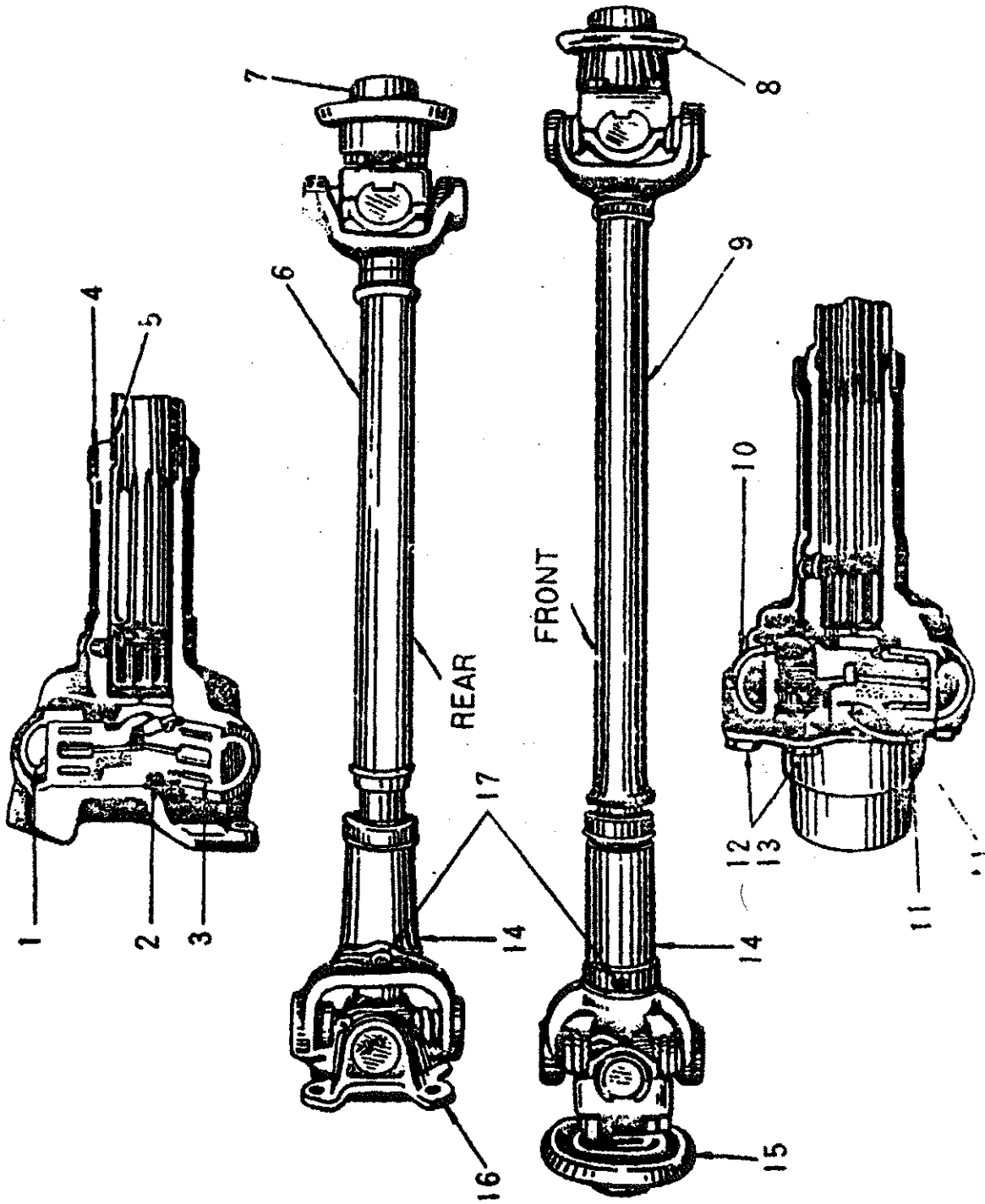


Key	Parts No.	Nomenclature	No. Req'd
<u>TRANSFER CASE (continued)</u>			
30	J-A-971	Handle, shift lever	2
31	J-801331	Lever, shift front wheel drive	1
32	J-A-956	Cap, output shaft front	1
33	J-A-972	Pin, pivot	1
34	J-A-973	Screw, set pivot pin	1
35	J-806431	Fitting, lubricating	1
36	J-A-974	Oil seal, shift rod	2
37	J-A-1106	Yoke, end front	1
38	J-A-1111	Shield, dust	1
39	J-GM-120371	Nut, hex.	1
40	J-GM-120384	Lockwasher, spring	1
41	J-634758	Insulator, support transfer	1
42	J-634759	Snubber, support transfer	1
43	J-634762	Washer, mounting transfer	1
44	J-A-147	Bolt, support transfer	1
45	J-GM-179839	Bolt, hex. hd.	6
46	J-A-962	Rod, shift front wheel drive	1
47	J-A-960	Fork, shift front wheel drive	1
48	J-A-959	Fork, shift underdrive and direct	1
49	J-809297	Gear, main shaft	1
50	KS310-4035	Pin, cottar	1
51	J-A-1410	Washer, plain	1
52	J-A-520	Nut, hex.	1
53	J-GM-103880	Plug, pipe	1
54	J-A-954	Gasket, bottom cover	1
55	J-A-953	Cover, case bottom	1
56	J-A-1104	Plug, drain	1
57	J-GM-120228	Bolt, hex. hd.	10
58	J-636396	Sleeve, speedometer gear	1
59	J-GM-179835	Bolt, hex. hd.	1
60	J-809296	Washer, thrust	2
61	J-809292	Shaft, intermediate	1
62	J-809295	Spacer, bearing	3
63	J-809294	Roller, needle bearing	48
64	J-809293	Gear, intermediate	1
65	J-A-976	Snap ring, shaft bearing	1
66	JM60219	Bearing, clutch shaft	1
67	JM60485	Bearing, output shaft ass'y	2



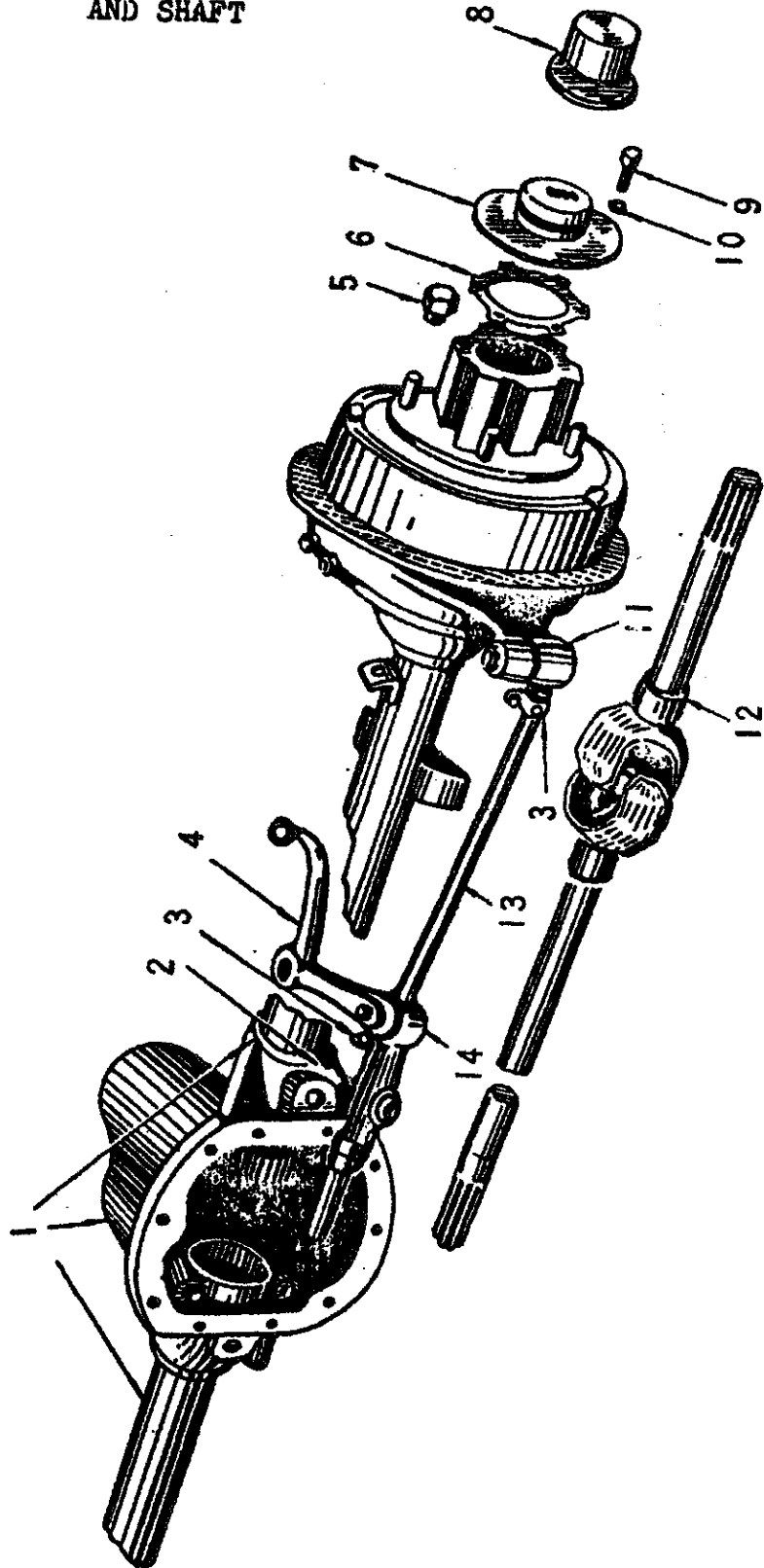
Key	Parts No.	Nomenclature	No. Req'd
<u>TRANSFER CASE (Continued)</u>			
68	J-801367	Nut, companion flange	2
69	J-A-1028	Washer, companion flange	2
70	J-A-1511	Gear, speedometer drive	1
71	J-807767	Shaft, nut and washer, output	1
72	J-A-987	Bushing, pilot	1
73	J-809290	Gear, sliding	1
74	J-809291	Gear, output shaft	1
75	J-A-990	Washer, thrust	1
76	J-A-991	Snap ring, output shaft	1
77	J-A-992	Gear, output clutch shaft	1
78	J-807892	Shaft, nut and washer, output clutch	1
	<u>J-805295-1</u>	Gasket and oil seal set, transfer	1
		Consists of:	
	J-A-954	1 Gasket, bottom cover	
	J-A-957	1 Gasket, bearing cap	
	J-A-1134	2 Gasket, oil seal	
	J-A-1509	1 Gasket, rear cover	
	J-644122	1 Gasket, transmission to transfer- case	
	J-A-958-1	2 Oil seal, output shaft	
	<del>J-A-974</del>	2 Oil seal, shift rod	
	<u>J-A-7445-1</u>	<u>Oil seal set, transfercase</u>	1
		Consists of:	
	J-A-958-1	2 Oil seal, output shaft	
	J-A-974	2 Oil seal, shift rod	
	J-A-6753	Shim set, rear bearing cap	1
		Consists of:	
	J-A-982	4 Shim 003" thick	
	J-A-983	2 Shim 010" thick	
	J-A-984	2 Shim 031" thick	

PROPELLER SHAFT



Key	Parts No.	Nomenclature	No. Req'd
<u>PROPELLER SHAFT</u>			
	JMO4084	Shaft, propeller front, ass'y	1
	JMO4085	Shaft, propeller rear, ass'y	1
1	J-A-945	Snap ring, trunnion bearing	10
2	J-807780	Journal ass'y	4
3	J-120809	Bearing ass'y	16
4	J-A-942	Cap, dust	2
5	J-A-943	Washer, yoke sleeve	2
6	JMO1560	Tube, propeller shaft rear, ass'y	1
7	J-807693	Yoke and universal joint, ass'y	1
8	J-A-1445	Yoke and universal joint, ass'y	1
9	JMO1558	Tube, propeller shaft front, ass'y	1
10	J-A-490	Bolt, "U" propeller shaft yoke	6
11	JMO4343	Seal	16
12	J-A-491	Nut, hex.	12
13	J-GM-120214	Lockwasher	12
14	J-A-935	Yoke and plug	2
15	J-A-1106	Yoke end universal joint	1
16	J-A-950	Yoke, propeller shaft flange	1
17	JMO3092	Fitting, lubricating	6
	J-906929	Kit, universal joint journal	1
		Consists of:	
	J-807780	1 Journal ass'y	
	J-120809	4 Bearing ass'y	
	J-A-945	4 Snap ring	

FRONT AXLE HOUSING  
AND SHAFT



Key	Parts No.	Nomenclature	No. Req'd
-----	-----------	--------------	-----------

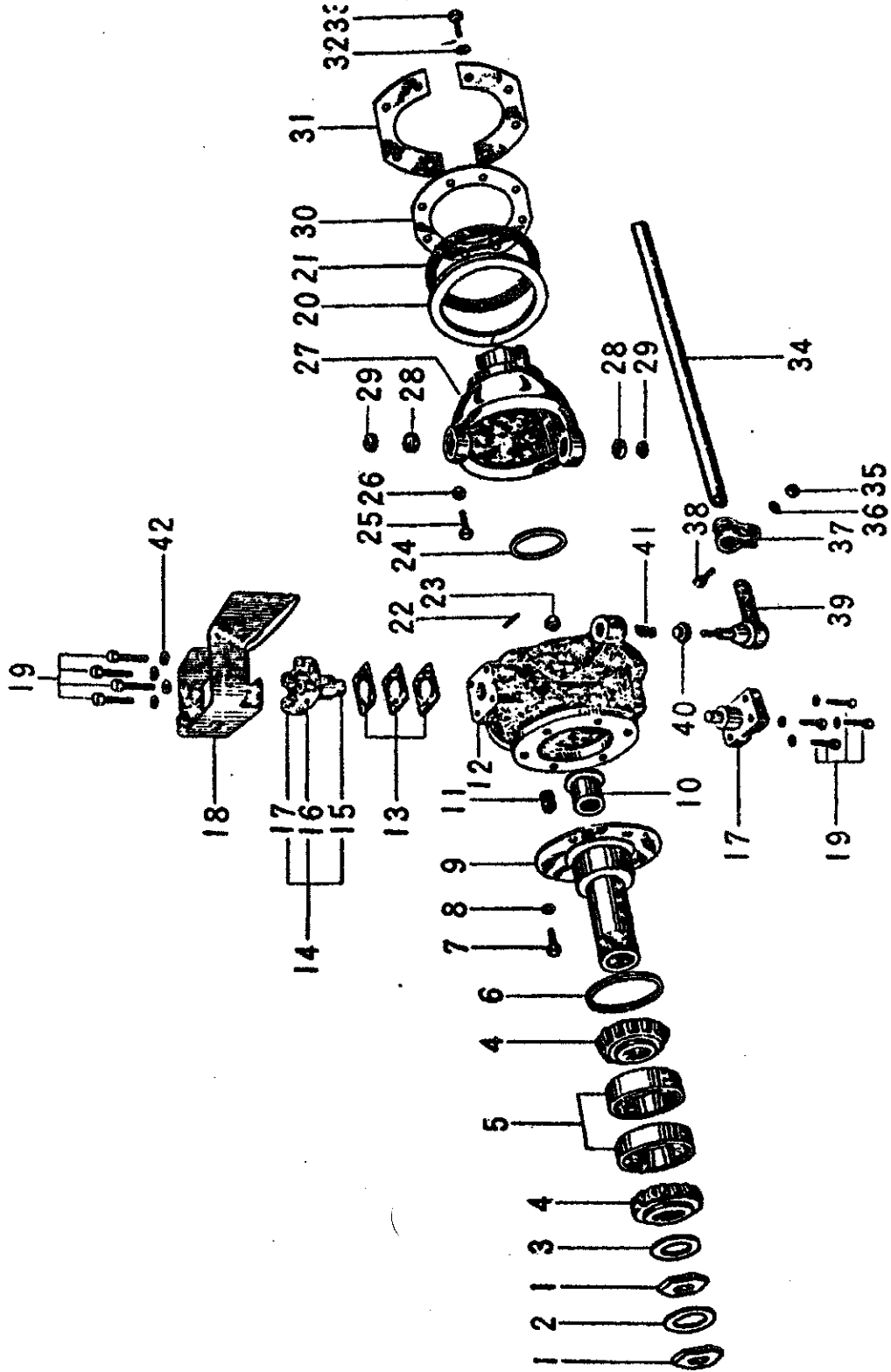
FRONT AXLE HOUSING AND SHAFT

1	JM01853	Housing front axle	1
2	J-A-838	Socket, tie rod R.H. ass'y	2 → MA 307753
3	J-A-837	Clamp, tie rod	4
4	JM04090	Crank, bell, steering	1
5	J-636035	Nut, hex. L.H.T.	5
6	J-649784	Gasket, drive flange	2
7	J-A-868	Flange, drive, axle shaft	2
8	J-641920	Cap, wheel hub	2
9	J-A-760	Bolt, flange to hub	12
10	J-GM-103321	Lockwasher	12
11	J-A-847	Socket, tie rod L.H. ass'y	1 → MA 307752
12	J-800611	Kit, shaft and universal joint, L.H.	1
		Consists of:	
	J-649771	1 Shaft, universal joint, L.H.	
	J-649783	1 Bushing, wheel bearing spindle	
	J-649784	1 Gasket, drive flange	
13	J-642058	Rod, tie, steering, L.H.	1
14	J-640178	Socket, tie rod, L.H. ass'y for right tie rod	1 → MA 315609

STEERING KNUCKLE AND WHEEL BEARING

1	J-A-866	Nut, retaining, wheel bearing	4
2	J-A-867	Lockwasher, wheel bearing nut	2
3	J-A-865	Lockwasher, wheel bearing	2
4	J-52942	Cone and roller, wheel bearing	4
5	J-52943	Cup, front wheel bearing	4
6	J-805150	Oil seal, wheel hub grease	2
7	J-A-877	Bolt, brake to steering knuckle	12
8	J-GM-120382	Lockwasher, brake to steering knuckle	12
9	J-649782	Spindle and bushing, wheel bearing	2
10	J-649783	Bushing, wheel bearing	2
11	J-GM-103868	Plug, filler	2
12	J-805784	Knuckle and arm R.H.	1
	J-805783	Knuckle and arm L.H.	1
13	JM02641	Shim set, king pin bearing	1

### STEERING KNUCKLE AND WHEEL BEARING



Key	Parts No.	Nomenclature	No. Req'd
<u>STEERING KNUCKLE AND WHEEL BEARING (Continued)</u>			
		Consists of:	
	JM02370	4 Shim, .13 mm thick	
	JM02371	4 Shim, .25 mm thick	
	JM02372	4 Shim, .75 mm thick	
14	J-A-828	Cap, king pin bearing, ass'y	4
		Consists of:	
15	J-A-824	1 Pin, king, bearing cap	
16	J-A-825	1 Pin, lock, king pin	
17	J-A-829	1 Cap, king pin bearing	
18	J-802298	Guard, brake hose, front ass'y	2
19	J-GM-181374	Bolt, hex. hd.	16
20	J-908007	Oil seal, knuckle	2
21	J-908008	Ring, seal packing, steering knuckle	2
22	J-GM-108629	Pin, cotter	4
23	J-GM-102647	Nut, tie rod stud	4
24	J-649769	Washer, thrust axle shaft	2
25	J-A-821	Bolt, stop, steering knuckle	2
26	J-A-873	Nut, lock	2
27	JM01853	Housing, front axle	1
28	J-52941	Cup, king pin bearing	4
29	J-52940	Cone and roller, king pin bearing	4
30	J-908005	Oil seal, felt	2
31	J-908006	Plate, seal retainer	4
32	J-GM-114605	Lockwasher	16
33	J-648877	Screw	16
34	J-642059	Rod, tie, steering	1
35	J-GM-103025	Nut, tie rod clamp	4
36	J-GM-108579	Lockwasher, tie rod clamp	4
37	J-A-837	Clamp, tie rod	4
38	J-A-875	Bolt, tie rod clamp	4
39	J-A-838	Socket, tie rod R.H. ass'y	2
40	J-A-844	Cover, dust, tie rod socket	4
41	J-A-6305	Spring, tie rod stud	4
42	J-GM-103321	Lockwasher	16
	J-908226	Kit, steering knuckle oil seal	1
		Consists of:	
	J-908005	2 Oil seal, felt	
	J-908006	4 Plate, seal retainer	

Key	Parts No.	Nomenclature	No. Req'd
-----	-----------	--------------	-----------

STEERING KNUCKLE AND WHEEL BEARING (Continued)

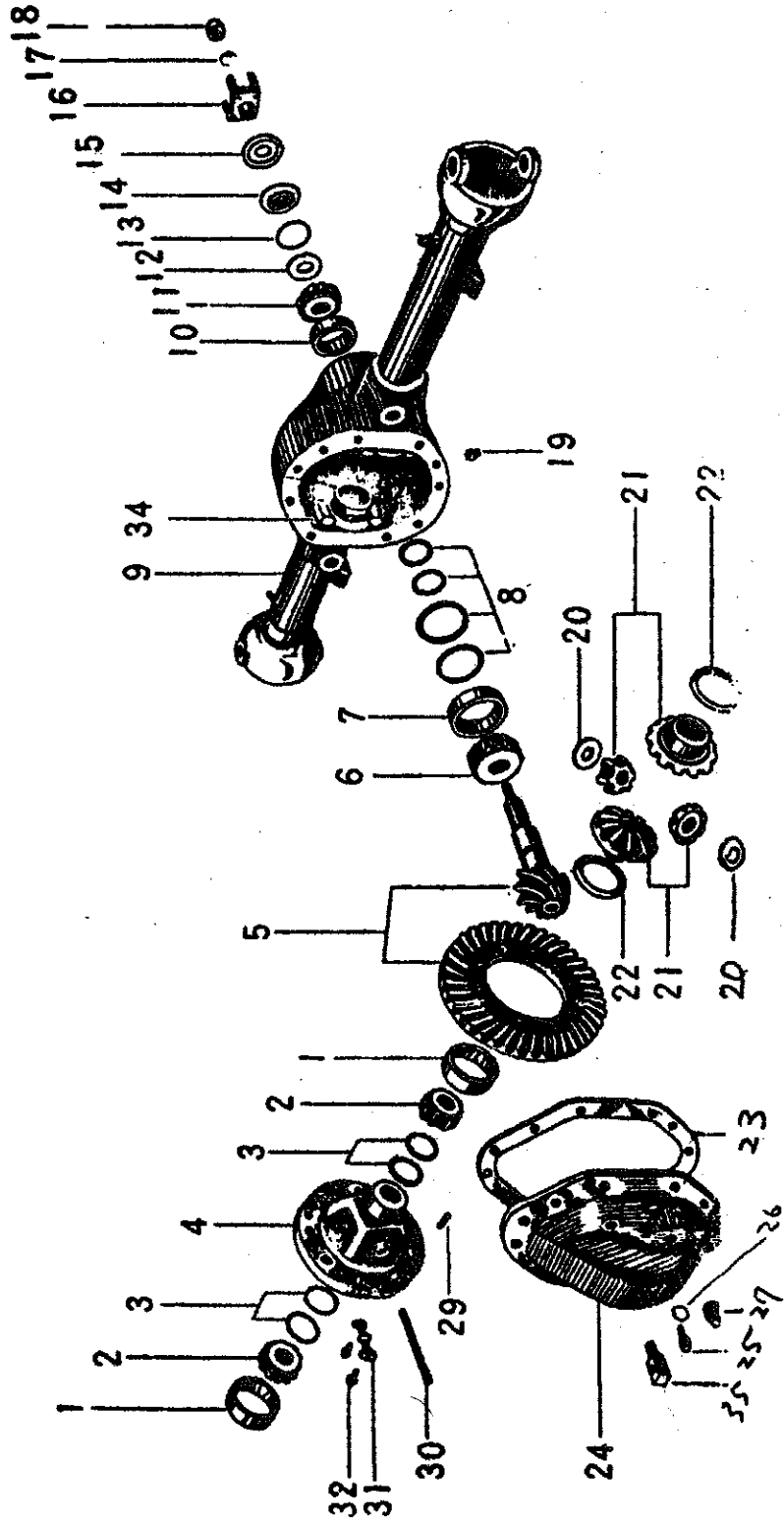
	J-908007	2 Oil seal, knuckle	
	J-908008	2 Ring, seal packing, steering	
	JM02474	Oil seal, front axle shaft	2

FRONT AXLE

	JM02635	Axle, front, ass'y (Does not include brakes, hubs and drums)	1
1	J-52881	Cup, differential bearing	2
2	J-52880	Cone and roller, differential bearing	2
3	JM02639	Shim set, adjusting differential	1
		Consists of:	
	JM02359	2 Shim, .07 mm thick	
	JM02360	2 Shim, .13 mm thick	
	JM02361	2 Shim, .25 mm thick	
	JM02362	2 Shim, .75 mm thick	
4	J-A-793	Case, differential	1
5	JM02173	Gear set, axle drive gear and pinion	1
-6	J-807266	Cone and roller, pinion bearing	1
7	J-52877	Cup, pinion bearing	1
8	JM02640	Shim set, adjusting pinion bearing	1
		Consists of:	
	JM02363	2 Shim, .07 mm thick	
	JM02364	2 Shim, .13 mm thick	
	JM02365	2 Shim, .25 mm thick	
	JM02366	2 Shim, .07 mm thick	
	JM02367	2 Shim, .13 mm thick	
	JM02368	2 Shim, .25 mm thick	
	JM02369	1 Shim, .75 mm thick	
9	JM01853	Housing, front axle	1
10	J-52879	Cup, pinion bearing	1
11	J-52878	Cone and roller, pinion bearing	1
12	J-636566	Slinger, oil	1
13	J-636565	Gasket, oil seal pinion	1
14	JM02475-1	Oil seal, pinion	1
15	J-636568	Shield, dust, universal yoke	1
16	J-A-1445	Yoke, end, universal joint	1



FRONT AXLE



Key	Parts No.	Nomenclature	No. Req'd
-----	-----------	--------------	-----------

FRONT AXLE (Continued)

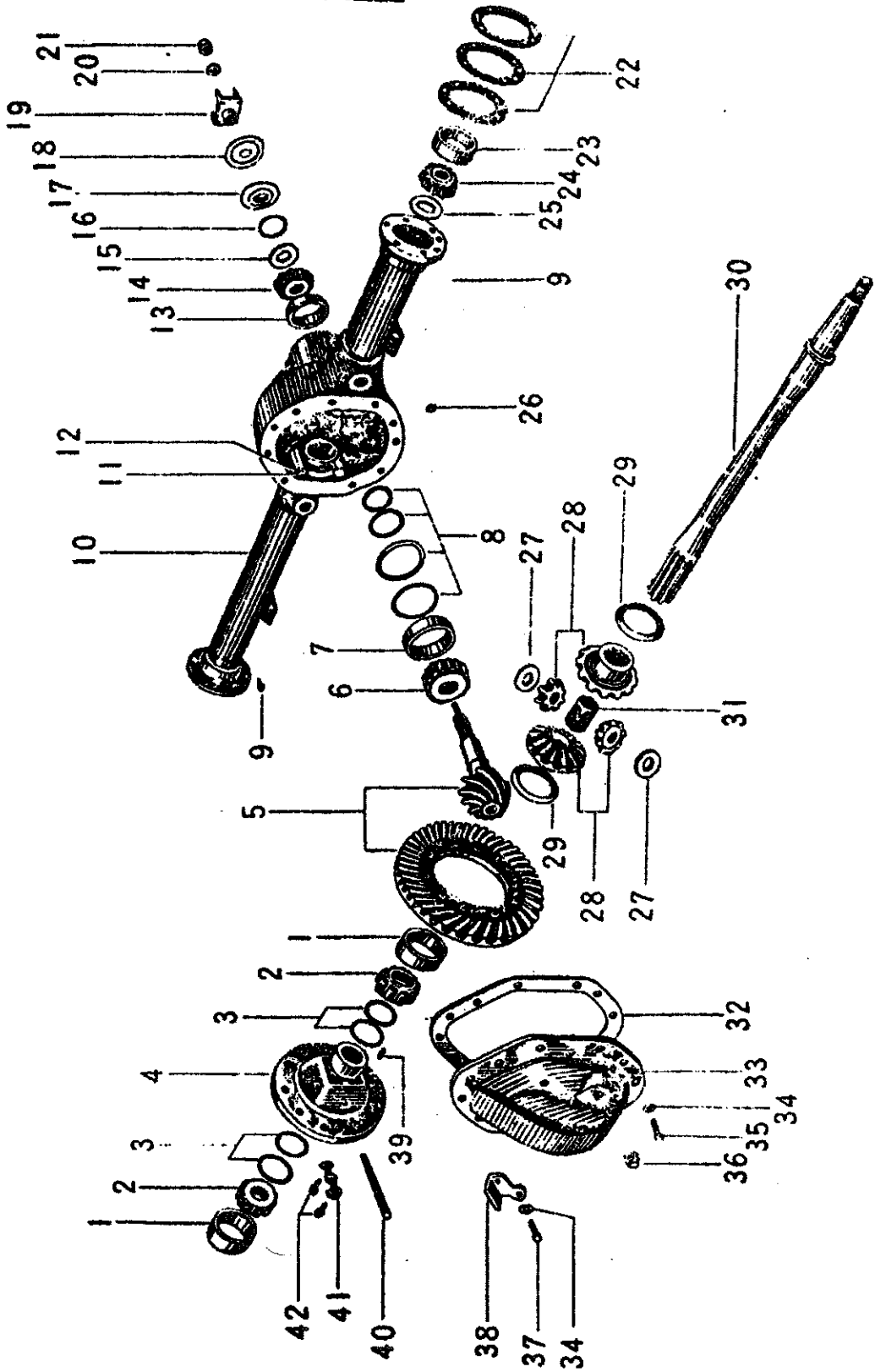
17	J-636570	Washer, pinion nut	1
18	J-801367	Nut, hex.	1
19	J-636577	Plug, drain	1
20	J-A-797	Washer, thrust, pinion mate	2
21	JM05750	Gear set, differential	1
22	JM03263	Washer, thrust, side gear	2
23	J-A-782	Gasket, housing cover	1
24	JM01906	Cover, housing	1
25	J-GM-108579	Lockwasher	10
26	J-GM-179814	Bolt, hex. hd.	10
27	J-GM-103869	Plug, filler	1
28	JM01908	Breather, axle housing	1
29	J-636360	Pin, lock, pinion shaft	1
30	J-A-798	Shaft, case pinion	1
31	J-A-792	Strap, lock	4
32	JM02873	Screw, axle drive gear	8
	JM02638	Kit, axle drive and pinion	1
		Consists of:	
	JM02173	1 Gear set	
	JM02873	8 Screw	
	J-A-792	4 Strap	
	J-801929	Differential ass'y	1
33	J-649771	Shaft, universal joint, L.H. ass'y	1
	J-649772	Shaft, universal joint, R.H. ass'y	1
34	J-636527	Bolt, hex. hd.	4
35	JM01907	Elbow	1

REAR AXLE

	JM02636	Axle, rear ass'y (Does not include brakes, hubs and drums)	1
1	JM01815	Cup, differential bearing	2
2	JM01816	Cone and roller, differential bearing	2
3	JM02639	Shim set, adjusting, differential	1
		Consists of:	
	JM02359	2 Shim, .07 mm thick	

Key	Parts No.	Nomenclature	No. Req'd
<u>REAR AXLE</u> (Continued)			
	JM02360	2 Shim, .13 mm thick	
	JM02361	2 Shim, .25 mm thick	
	JM02362	2 Shim, .75 mm thick	
4	J-802562	Case, differential	1
5	JM05093	Gear set, axle drive gear and pinion	1
6	J-807266	Cone and roller, pinion bearing	1
7	J-52877	Cup, pinion bearing	1
8	JM02640	Shim set, adjusting pinion bearing	1
		Consists of:	
	JM02363	2 Shim, .07 mm thick	
	JM02364	2 Shim, .13 mm thick	
	JM02365	2 Shim, .25 mm thick	
	JM02366	2 Shim, .07 mm thick	
	JM02367	2 Shim, .13 mm thick	
	JM02368	2 Shim, .25 mm thick	
	JM02369	1 Shim, .75 mm thick	
9	JM03092	Fitting	2
10	JM01854	Housing, rear axle	1
11	J-636527	Bolt, hex. hd.	4
12	J-636528	Lockwasher	4
13	J-52879	Cup, pinion bearing	1
14	J-52878	Cone and roller, pinion bearing	1
15	J-802564	Slinger, oil	1
16	J-636565	Gasket, oil seal pinion	1
17	JM02475	Oil seal, pinion	1
18	J-642121	Shield, dust, universal yoke	1
19	J-807693	Yoke, end, universal joint ass'y	1
20	J-636570	Washer, pinion nut	1
21	J-801367	Nut, hex.	1
22	JM02644	Shim set, rear axle shaft bearing	1
		Consists of:	
	JM02356	2 Shim, .13 mm thick	
	JM02357	3 Shim, .25 mm thick	
	JM02358	2 Shim, .75 mm thick	
23	J-52800	Cup, shaft bearing	2
24	J-52799	Cone and roller, shaft bearing	2
25	JM02473	Oil seal, carrier end	2

REAR AXLE

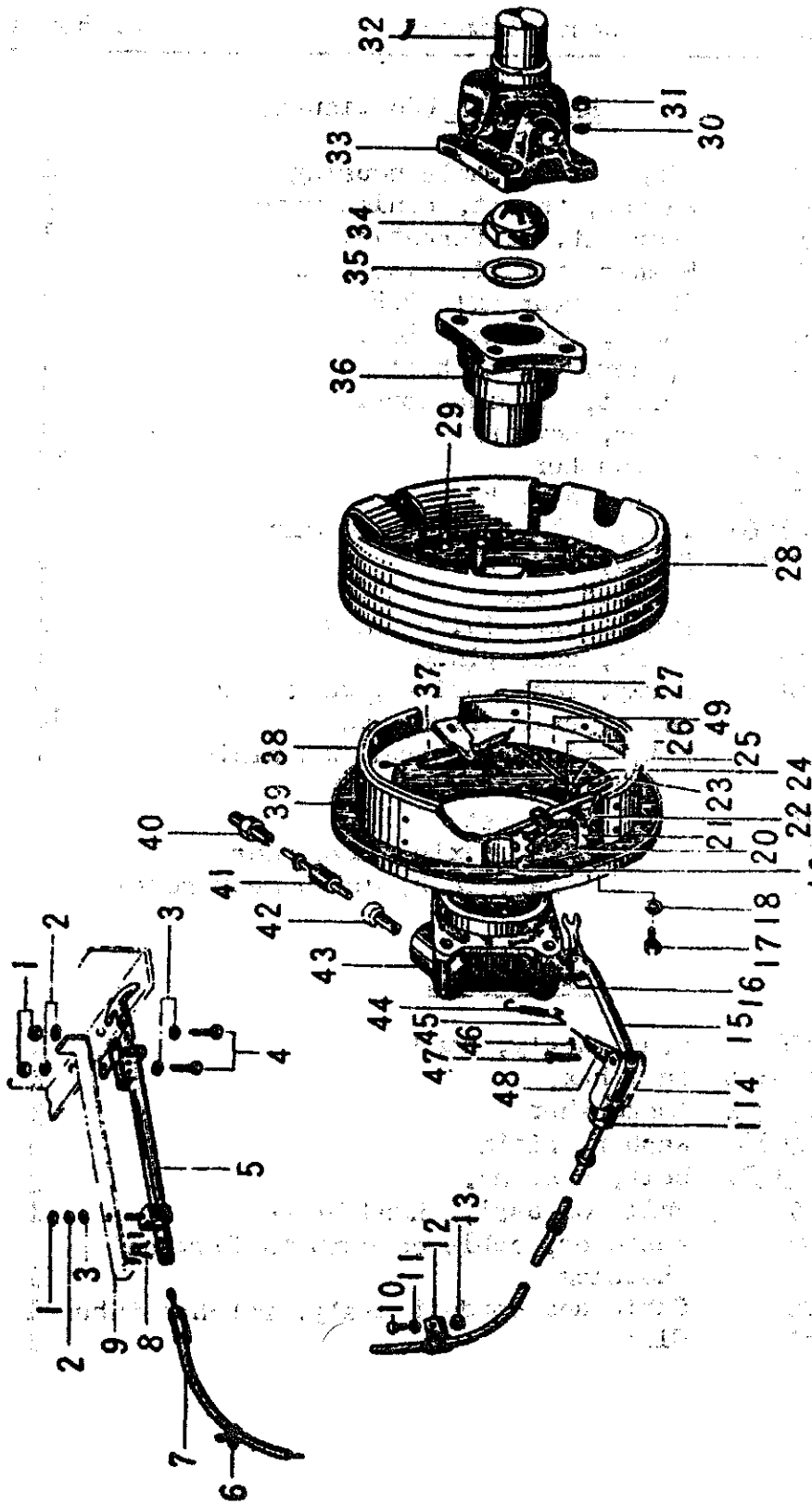


Key	Parts No.	Nomenclature	No. Req'd
<b><u>REAR AXLE (Continued)</u></b>			
26	J-636577	Plug, drain, axle housing	1
27	J-645790	Washer, thrust, pinion mate	2
28	JM02643	Gear set, differential	1
29	JM03263	Washer, thrust, side gear	2
30	J-640969	Shaft, rear axle R.H.	1
	J-640968	Shaft, rear axle L.H.	1
31	J-640965	Spacor, drive shaft	1
32	J-802556	Gasket, housing cover	1
33	J-802897	Cover, housing	1
34	J-GM-108579	Lockwasher	10
35	J-GM-179814	Screw, hex. hd.	8
36	J-GM-103869	Plug, filler, axle housing	1
37	J-GM-179816	Screw, hex. hd.	2
38	J-802509	Bracket, tee	1
39	J-636360	Pin, lock, pinion shaft	1
40	J-636553	Shaft, case pinion	1
41	J-802561	Strap, lock, drive gear screw	5
42	JM02873	Screw, axle drive gear	10
	JM02642	Kit, axle drive gear and pinion	1
		Consists of:	
	JM05093	1 Gear set,	
	JM02873	10 Screw, axle drive gear	
	J-802561	5 Strap, lock, drive gear screw	

**HAND BRAKE**

	J-642776	Brake ass'y, hand	1
1	J-GM-120368	Nut, hex.	4
2	J-GM-120214	Lockwasher	3
3	J-GM-446363	Washer, plain	3
4	J-GM-123473	Bolt, hex. hd.	2
5	JM04105	Pull rod ass'y, hand brake	1
6	J-648591	Fastener, cable conduit to flywheel housing	1
7	JM04106	Cable and conduit ass'y, ratchet tube	1
8	JM04282	Clip	1

HAND BRAKE



Key	Parts No.	Nomenclature	No. Req'd
<u>HAND BRAKE</u> (Continued)			
9	JM04126	Brace, ratchet tube bracket	1
10	J-GM-123774	Bolt, hex. hd.	1
11	J-GM-120214	Lockwasher	1
12	J-A-8847	Clamp, conduit to cross member	1
13	J-GM-120368	Nut, hex.	1
14	J-GM-144242	Clevis, adjustable	1
15	J-A-17254	Lever ass'y, operating hand brake	1
16	J-A-10052	Gasket, backing plate to rear bearing cap	1
17	J-GM-123391	Bolt, hex. hd.	1
18	J-GM-120382	Lockwasher	1
19	J-A-10332	Screw, adjusting R.H.T.	1
20	J-A-10330	Bracket, adjusting screw, ass'y	1
21	J-A-10331	Screw, adjusting L.H.T.	1
22	J-A-10338	Spring, return brake shoe adjusting and	1
23	J-A-10334	Link, operating lever	1
24	J-GM-427298	Nut, hex. lock	1
25	J-A-10335	Nut, hex. special	1
26	JM02069	Washer, plain	2
27	J-A-10333	Lever, brake cam	1
28	J-A-9332	Drum, hand brake	1
29	J-A-6084	Bolt, hex. hd.	4
30	J-GM-103321	Washer, spring	4
31	J-GM-103026	Nut, hex.	4
32	J-A-935	Yoke and plug ass'y, universal joint sleeve	1
33	J-A-950	Yoke, propeller shaft flange	1
34	J-801367	Nut, companion flange	1
35	J-A-1028	Washer, plain	1
36	J-116714	Flange and oil seal, guard	1
37	J-A-10337	Spring, return brake shoe lever end	1
38	J-643055	Shoe and lining set, hand brake	1
		Consists of:	
	J-A-10324	2 Shoe and lining ass'y	
39	JM02041	Plate, backing hand brake	1
40	J-636396	Sleeve, speedometer driven gear	1
41	J-A-5707	Gear, speedometer driven	1

Key	Parts No.	Nomenclature	No. Req'd
-----	-----------	--------------	-----------

HAND BRAKE, (Continued)

42	J-A-985	Bushing, speedometer drive gear	1
43	J-A-9330	Cap ass'y, bearing, output shaft rear	1
44	J-A-5335	Spring, retracting, hand brake	1
45	J-640680	Link, retracting spring	1
46	J-GM-137159	Pin, cotter	1
47	J-311003	Pin, clevis, cable to operating lever	1
48	J-641921	Clip, retracting spring	1
49	J-A-10336	Spring, operating lever spacer	1
	JMO4070	Spring	1
	JMO4069	Rivet	2
	JMO4062	Handle & ratchet rod	1
	JMO4067	Pin, ratchet rod guide	1
	JMO4068	Ratchet, handle brake	2
	JMO4103	Tube, ratchet ass'y	1
	JMO3744	Lining set, hand brake	1
		Consists of:	
	JMO3745	2 Lining	
	J-640102	20 Rivet	
	J-A-17253	Bushing, operating lever	1
	J-GM-119252	Nut, castle (Brake operating lever pivot)	1
	J-A-9338	Washer, plain ( " )	1
	J-GM-103373	Pin, cotter ( " )	1

WHEEL BRAKE

	J-807281	Brake ass'y, front L.H.	1
	J-807282	Brake ass'y, front R.H.	1
	J-807283	Brake ass'y, rear L.H.	1
	J-807284	Brake ass'y, rear R.H.	1
1	J-807356	Cylinder, front wheel brake ass'y	2
	J-807357	Cylinder, rear wheel brake ass'y	2
2	J-GM-121797	Bolt, hex. hd.	8
3	J-GM-121753	Lockwasher	8
4	J-637905	Spring, return, brake shoe cylinder end	4



WHEEL BRAKE

